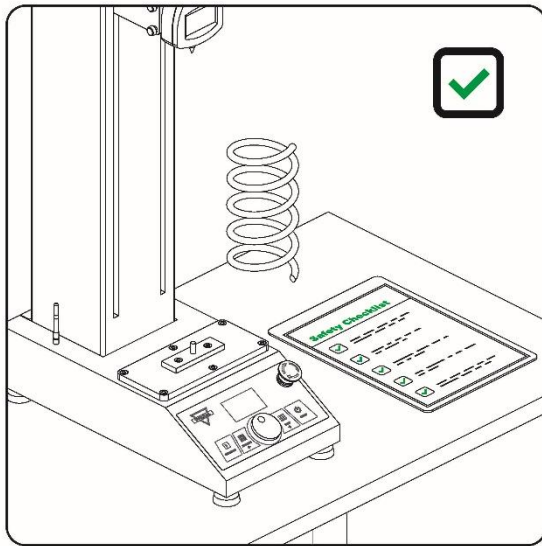
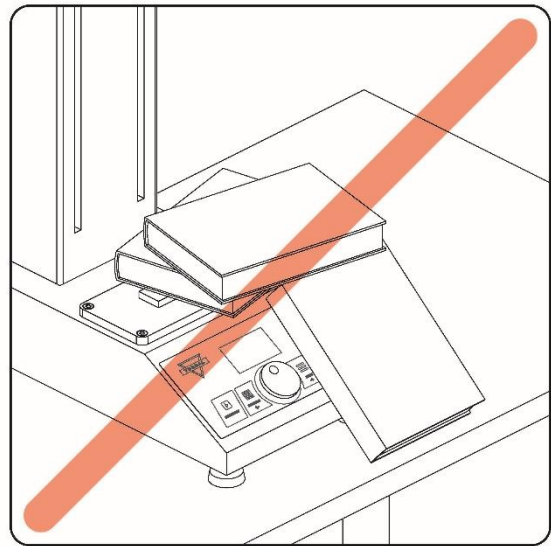


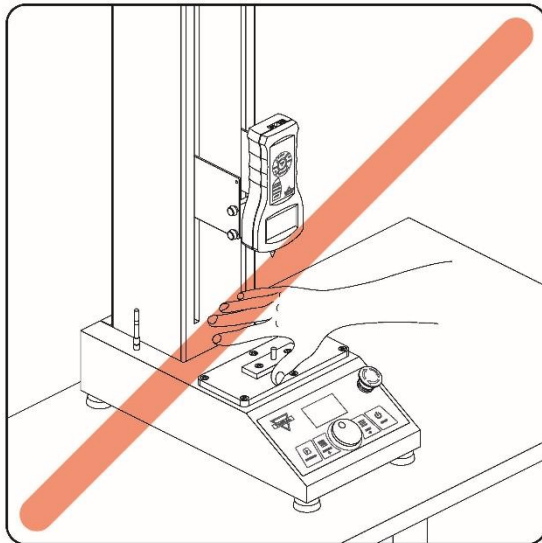
Safety Procedures and Warnings



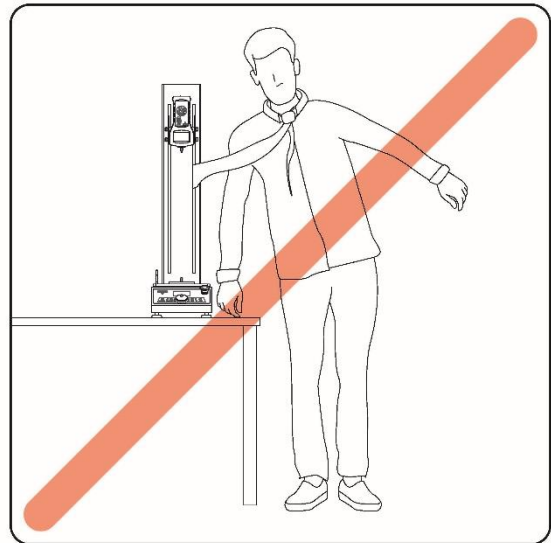
Always evaluate sample characteristics before testing and perform a detailed risk assessment to ensure the utmost safety precautions have been implemented.



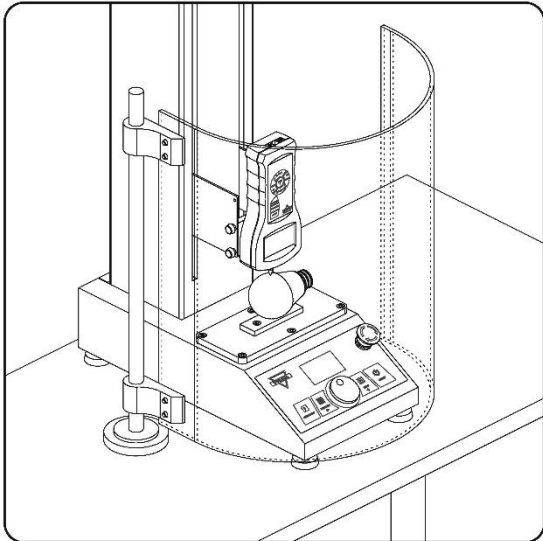
Never obstruct access to the Emergency Stop Button!



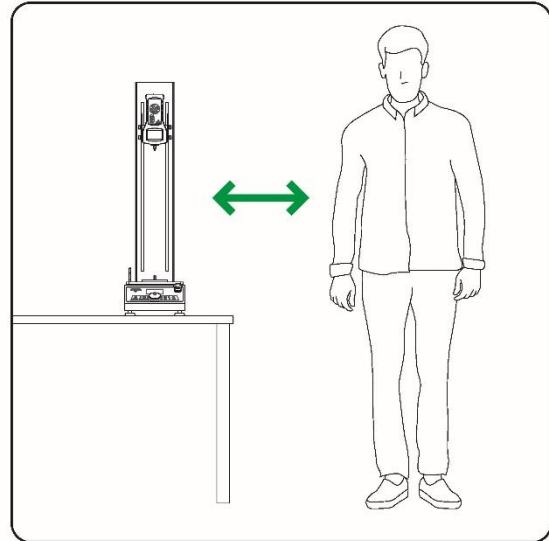
Never put hands on or near the mounting plate during operation!



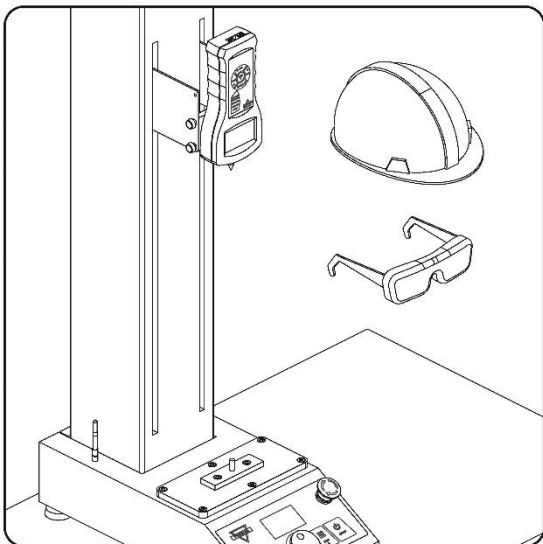
Do not wear loose clothing or any loose articles when operating the test stand!



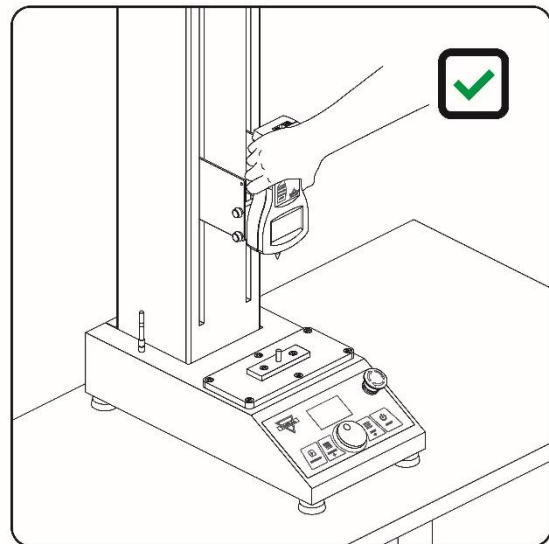
Use machine guards when testing samples that shatter!



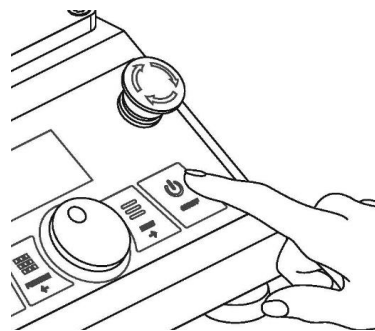
Keep a safe distance from the sample and moving parts during operation!



Always wear eye and face protective gear and follow common-sense precautions!



Before operating and each test check for any loose parts, screws, or attachments.



Always turn the power off when not in use to avoid accidental engagement.