

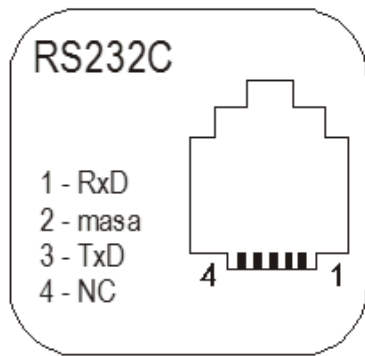
Force Gauge Communication Protocol

Computer → Force Gauge: ENQ = (S I CR LF), (53 h 49 h 0Dh 0 Ah),

Force Gauge → Computer: 16 Bytes, 8 bits, 1stop, no parity, 4800bps

Transmission initiation command (Print key) ENQ= (S I CR LF)

Use Sx1"+CR+LF to request data from PC without stable result.



1	-	space or mark
2	-	Space
3÷4	-	digit or space
5÷9	-	digit, decimal point or space
10	-	Digit
11	-	Space
12	-	K,l,c,p or space
13	-	G,b,t,c or %
14	-	Space
15	-	CR
16	-	LF