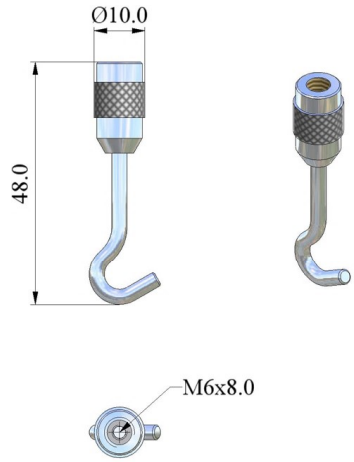
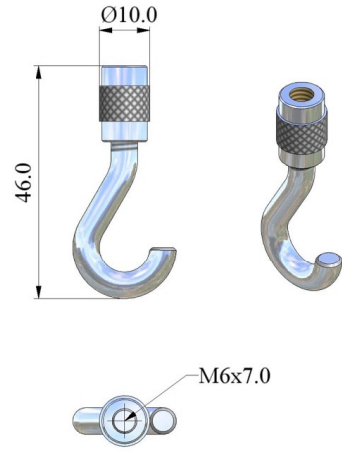


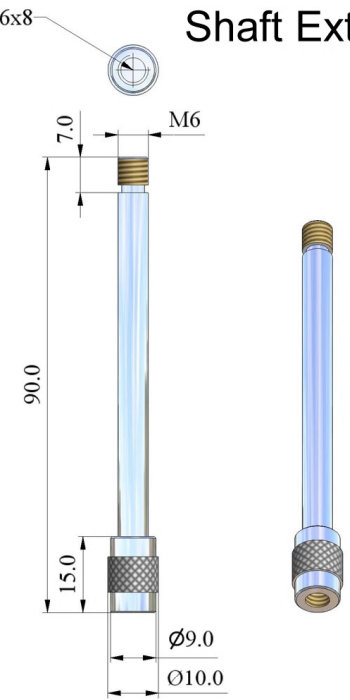
Hook (FB/C5 to FB/C200)



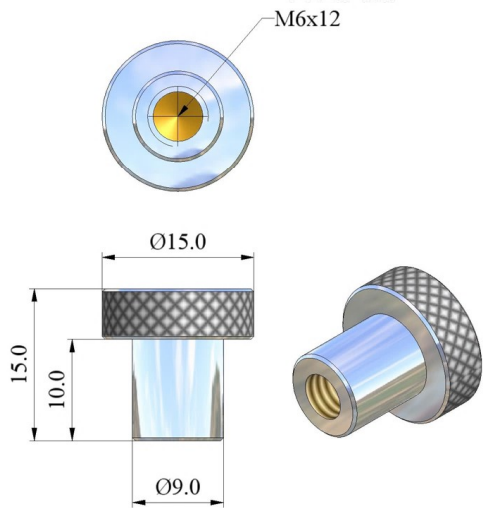
Hook (FB/C500)



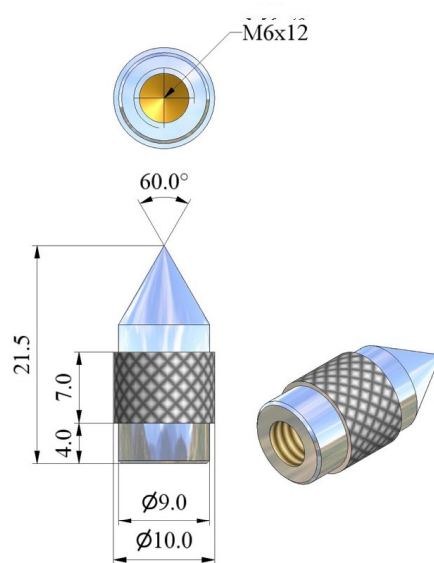
Shaft Extension



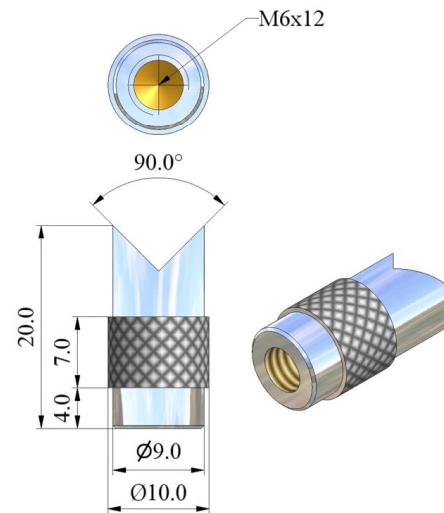
Flathead



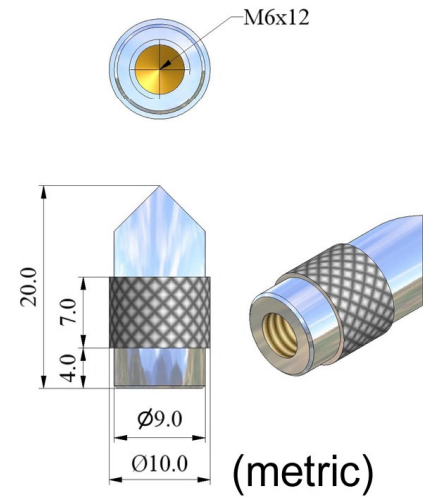
Cone Point



V-Groove

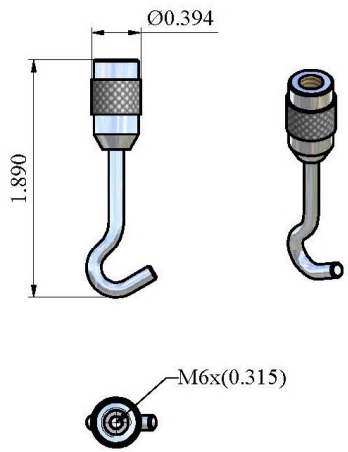


Chisel Point

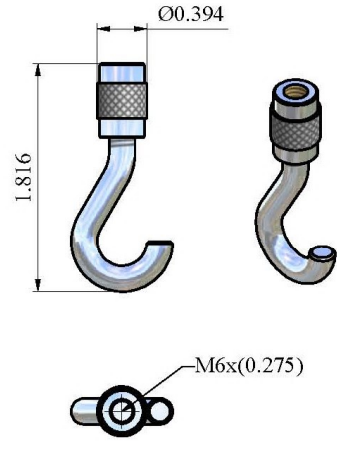


(metric)

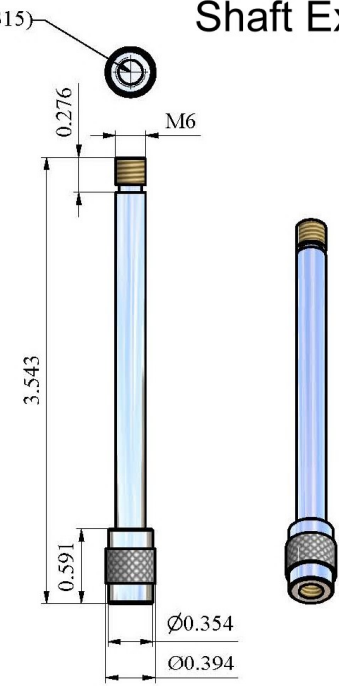
Hook (FB/C5 to FB/C200)



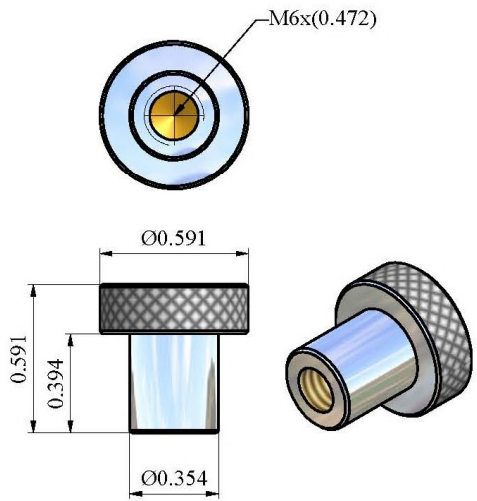
Hook (FB/C500)



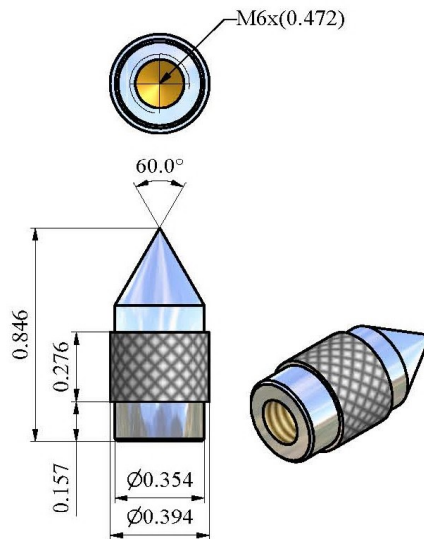
Shaft Extension



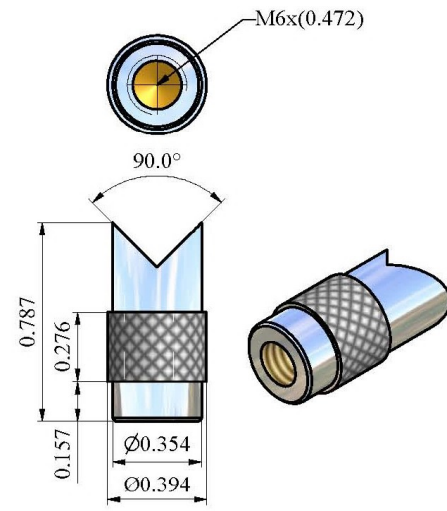
Flathead



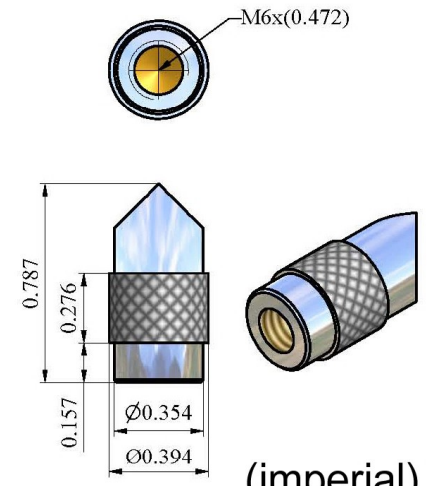
Cone Point



V-Groove



Chisel Point



(imperial)