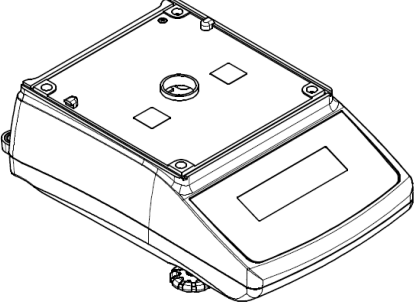

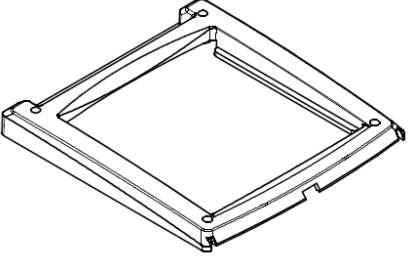
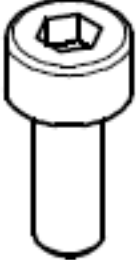

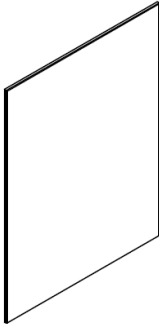
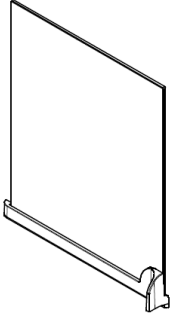
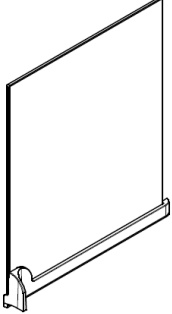
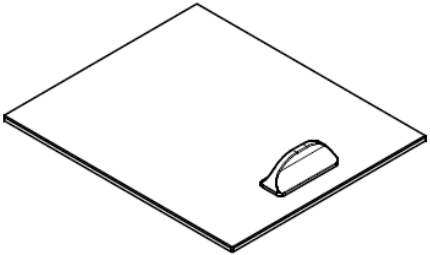
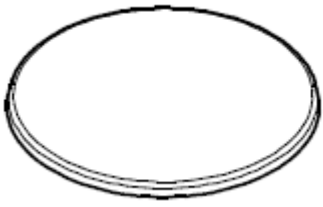


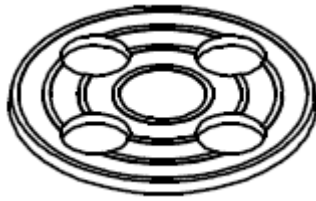
# Itemized Parts List

ATN60A | ATN110A

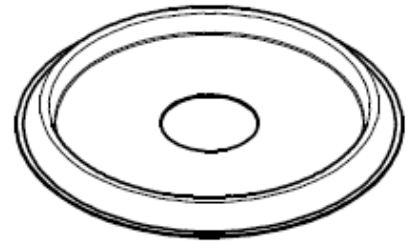
		
<p>Scale: 1</p>	<p>Chamber Posts: 4</p>	<p>Chamber Top Frame: 1</p>
		
<p>Post Screws (M3 X 8): 4</p>	<p>Post Screws Wrench: 1</p>	<p>Chamber Glass (Front and Back): 2</p>
		
<p>Chamber Glass Access Door (Left): 1</p>	<p>Chamber Glass Access Door (Right): 1</p>	<p>Chamber Glass Access Door (Top): 1</p>



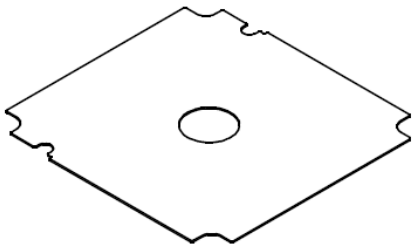
**Pan: 1**



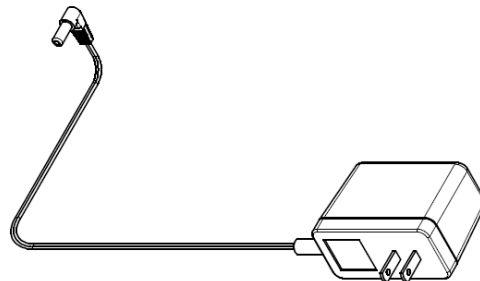
**Pan Support: 1**



**Draft Ring: 1**



**Chamber Base Plate: 1**



**Power Adapter: 1**