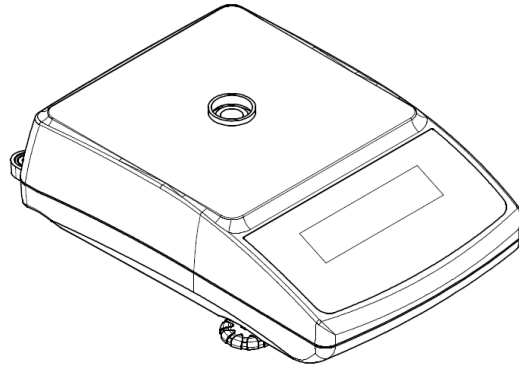
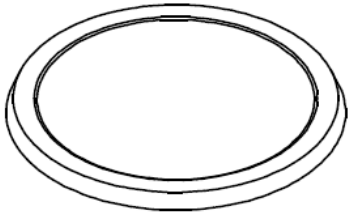


Itemized Parts List

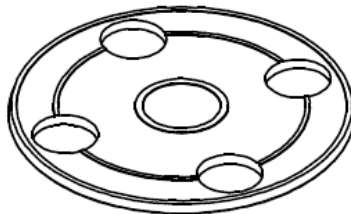
ATN110 | ATN210



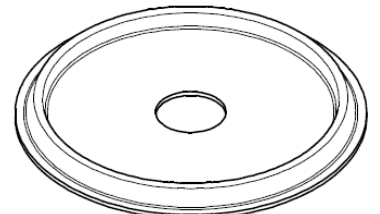
Scale: 1



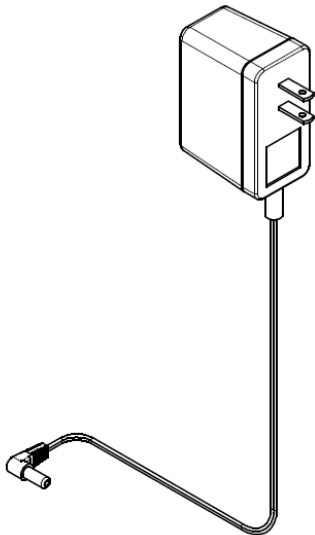
Pan: 1



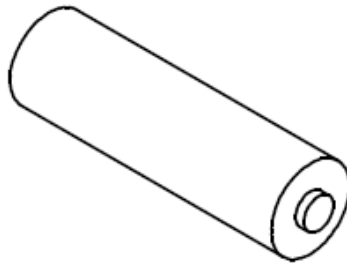
Pan Support: 1



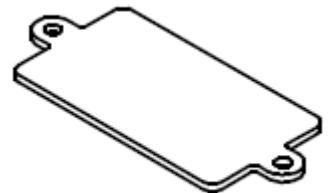
Draft Ring: 1



Power Adapter: 1



Rechargeable Batteries: 4



Battery Access Cover: 1