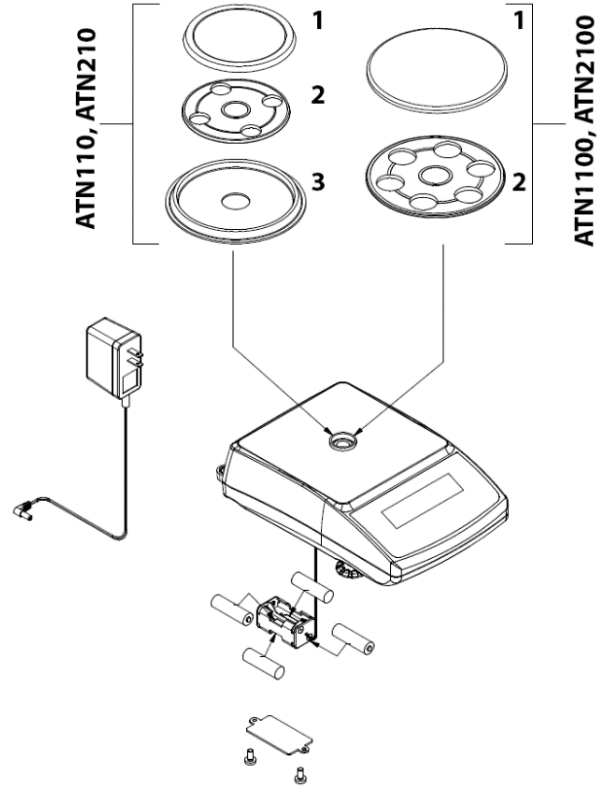
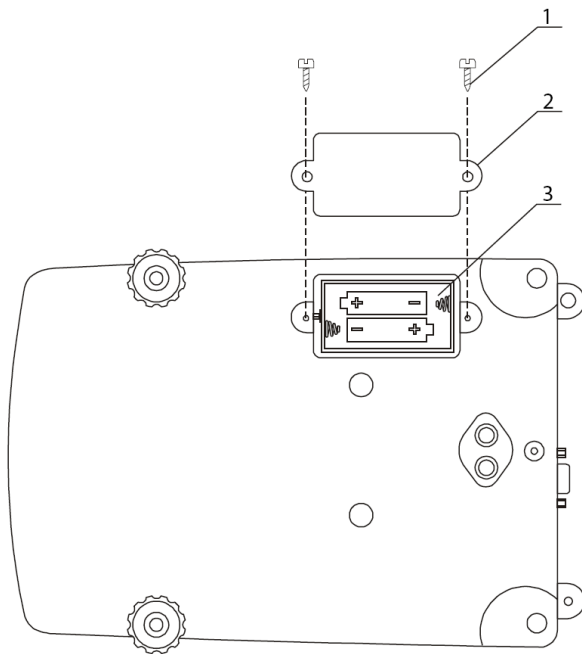


Getting Started

ATN1100 | ATN2100 | ATN110 | ATN210

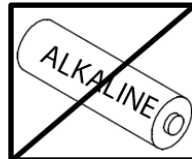
- Carefully remove the scale, pan, and all components out of the packaging. Place them on a stable surface where the scale will not be compromised by any mechanical vibrations or high air movements.
- After removing the pan base and the pan from their packaging, carefully install the draft ring (3 – ATA110 and ATA210), and pan base (2) onto the scale by seating it on the pan support located in the middle of the scale. Once the pan base has been installed, carefully place the pan (1) on the base



Caution!

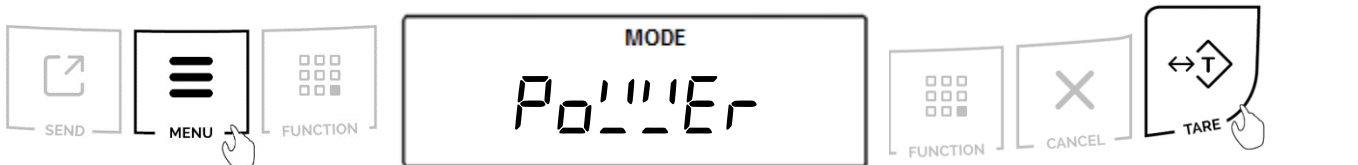
Always disable charging before installing disposable batteries

Charging non-rechargeable, alkaline batteries can be hazardous and cause damage to scale.



The scale is equipped with 4 nickel-metal hydride 2700mAh rechargeable batteries. The batteries are installed prior to shipping. Charging is disabled by default.

- To enable battery charging press the "MENU" key. Select "Power" by pressing the "T" key.



- Select "battery" and "bat on" by pressing the T key.

