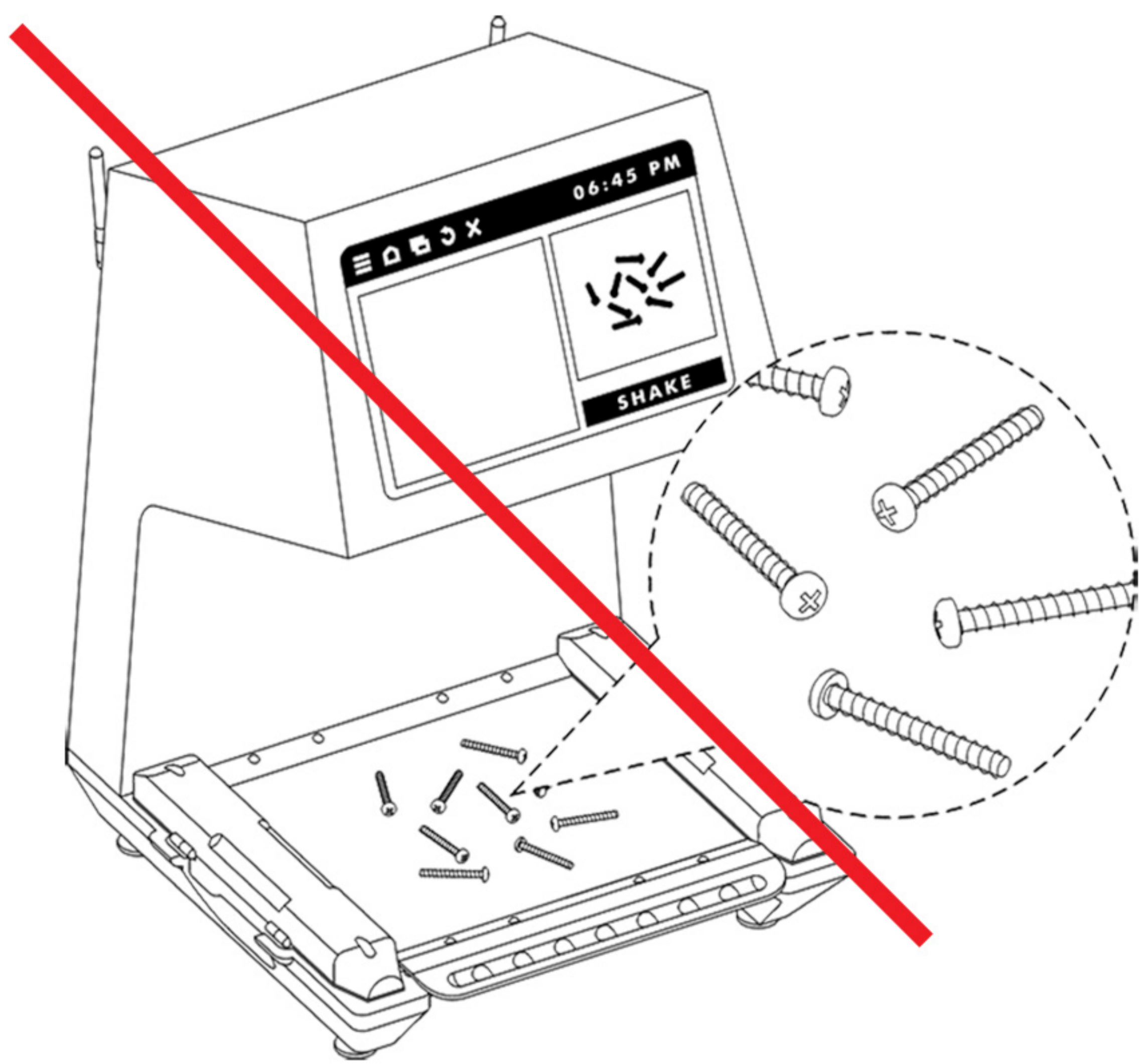




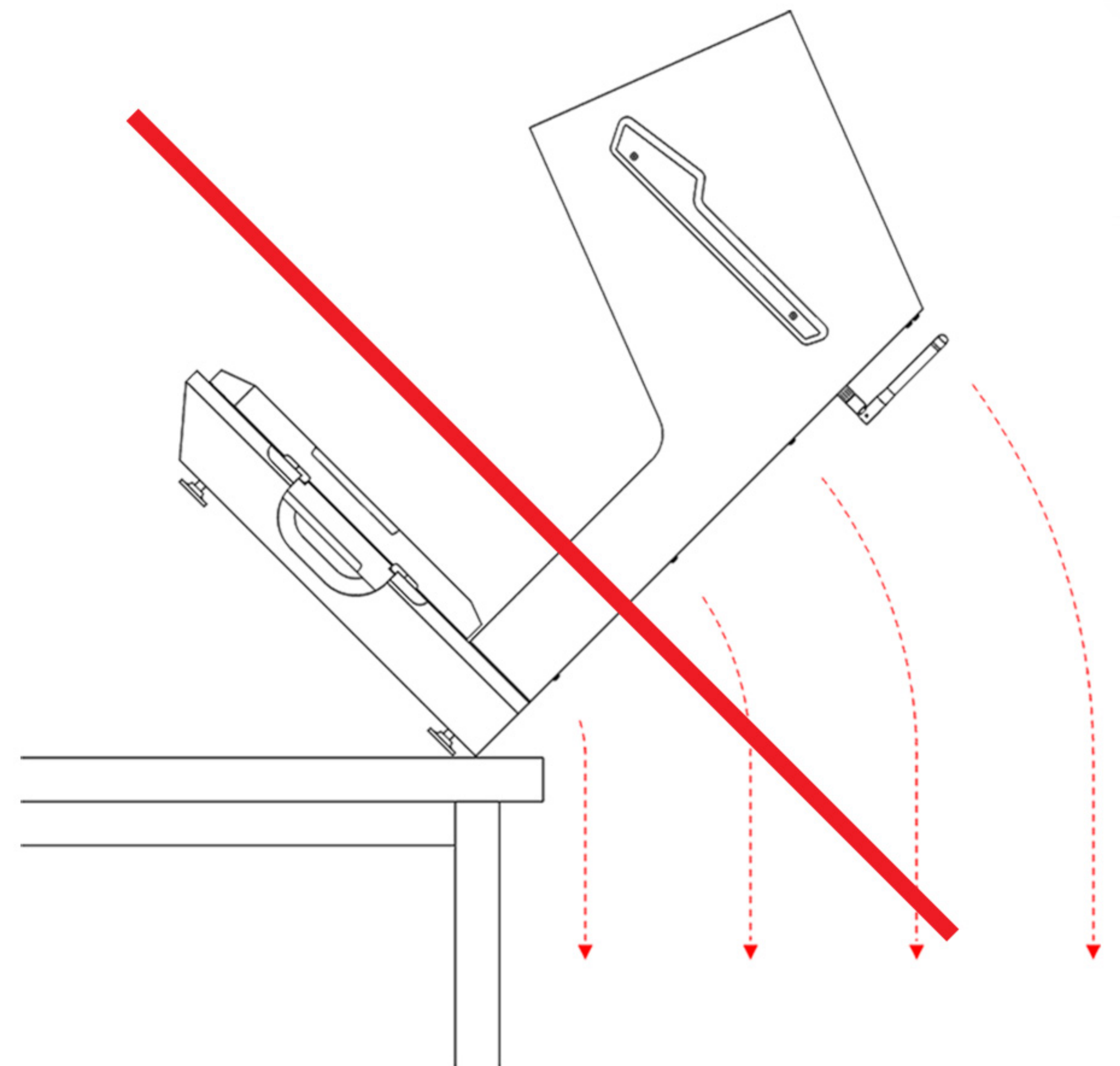
Cautionary Notes and Warnings

Always handle your VIVID pill counter with care. **Damage caused by improper handling is not covered under warranty.**

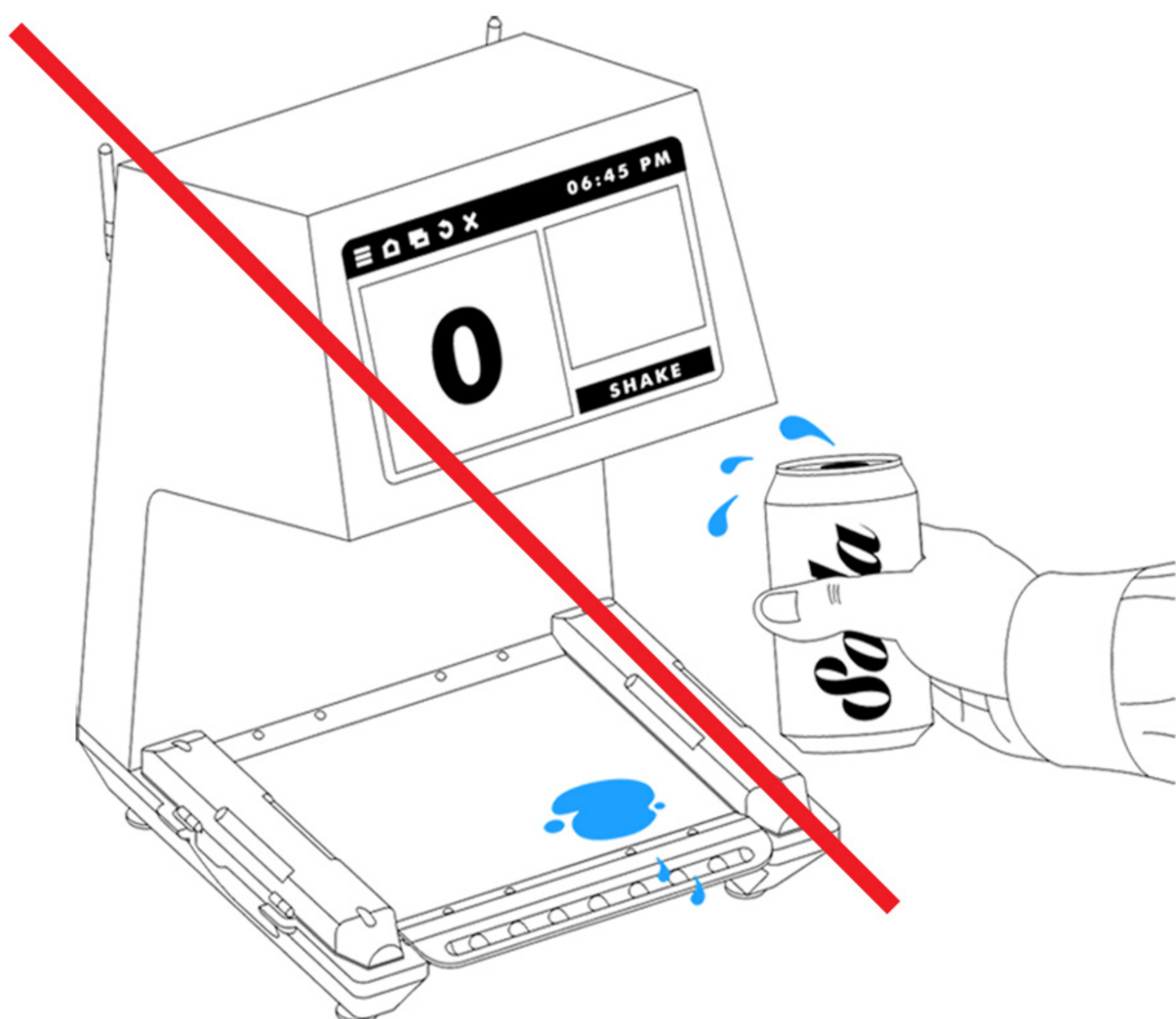
Other than pills and tablets, never place any other articles or objects on the tray.



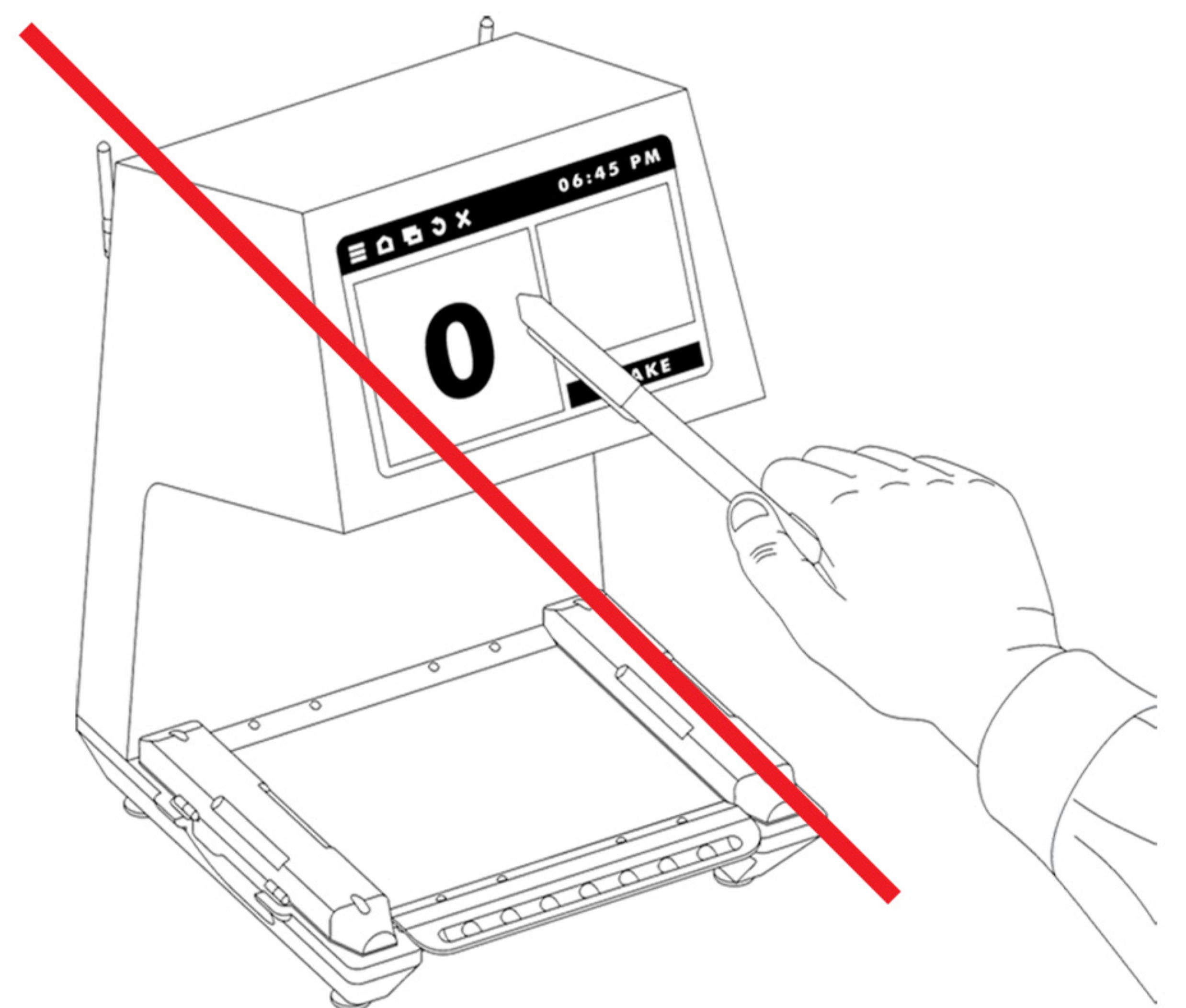
Do not let the pill counter fall or drop from its tabletop surface.



DO NOT pass or handle liquids directly over the pill counter to avoid spillage and liquid damage.



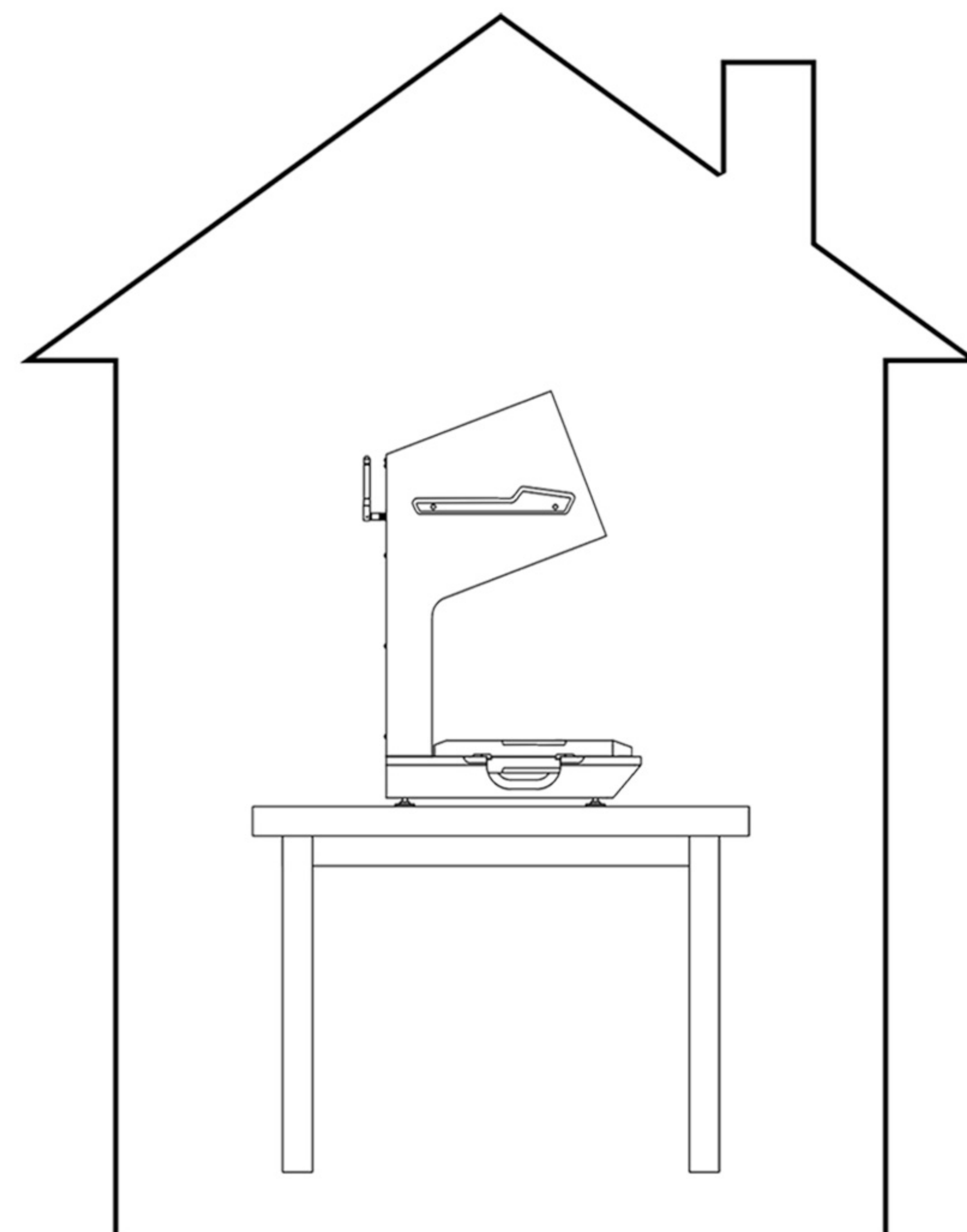
Do not touch the LCD Display screen surface with sharp or hard objects.





Caution

- The VIVID pill counter is designed for indoor use only.
- Do not operate the pill counter in hazardous areas or under dangerous conditions.
- Do not use the pill counter in locations subject to high humidity or dust.
- Do not operate near any appliance generating a strong magnetic field.
- Do not connect cables in ways other than those mentioned in this manual.
- Never stand or lean on the pill counter. Equipment may fall or collapse, causing breakage and possible injury.
- Before moving the pill counter, unplug it and unplug all cables connected to it.
- When storing, transporting or returning the pill counter for service, always use the original packaging.



Warning

- Never attempt to repair, disassemble or modify the pill counter. Tampering with the equipment may result in injury and cause greater damage.
- If water or other liquid spills onto the pill counter, immediately unplug the power cord and contact technical support.
- Disposal of electronic equipment in waste containers is forbidden by law.

