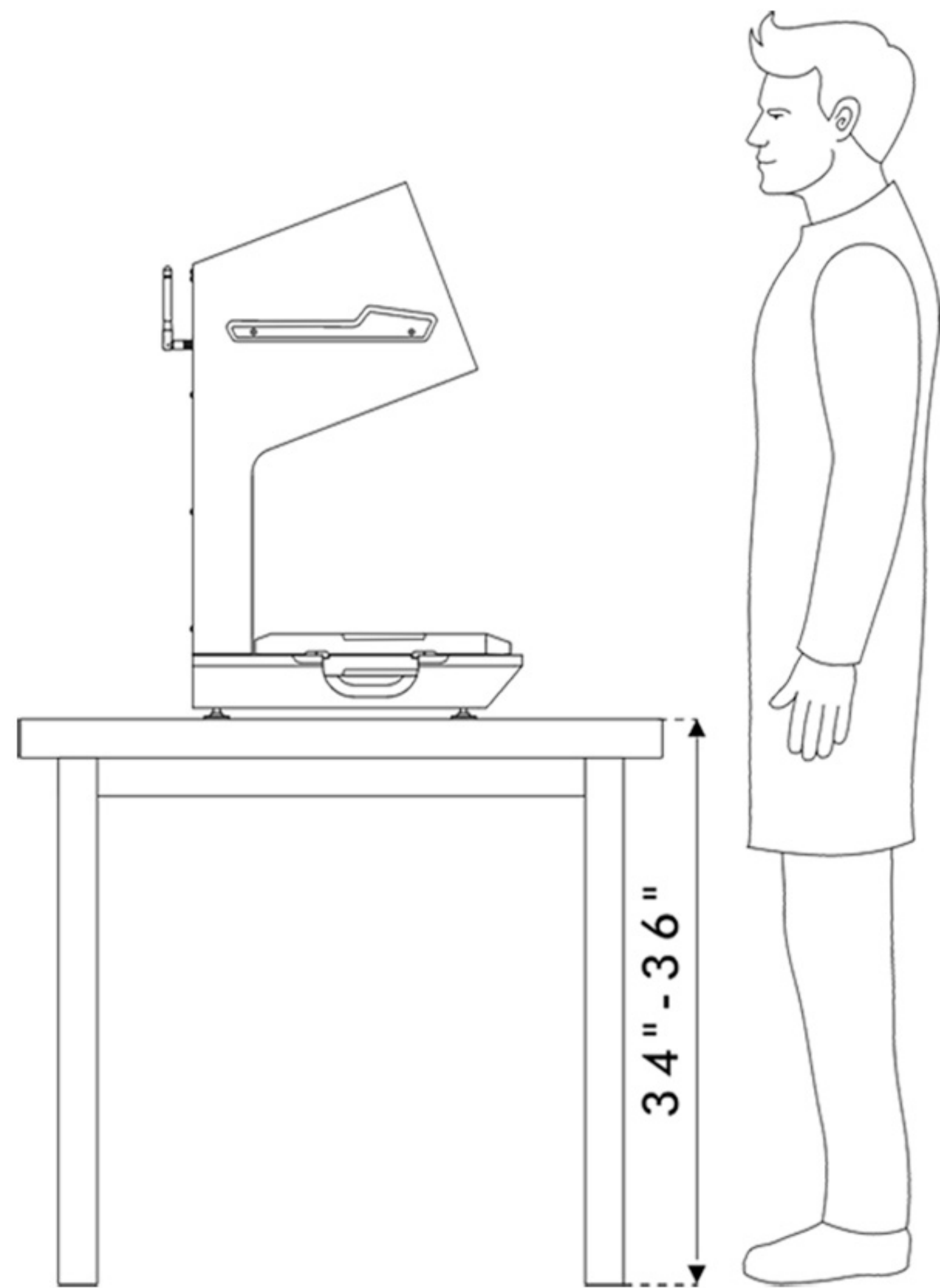


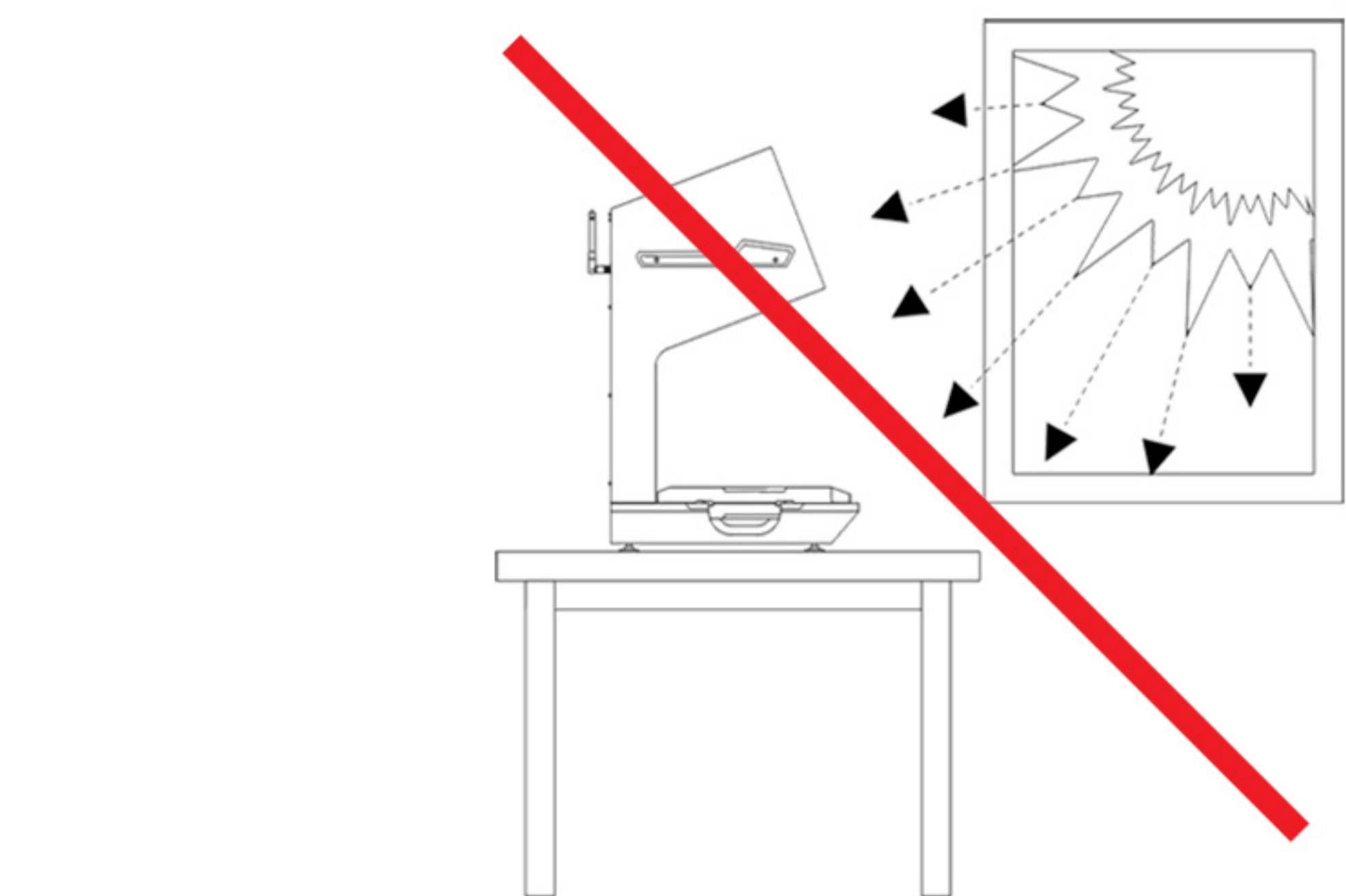


## Setup

- 1 Carefully remove the VIVID pill counter, and all components out of the packaging and place it on a stable surface. The optimum standing-height of the bench or tabletop for the VIVID is 34 to 36 inches.

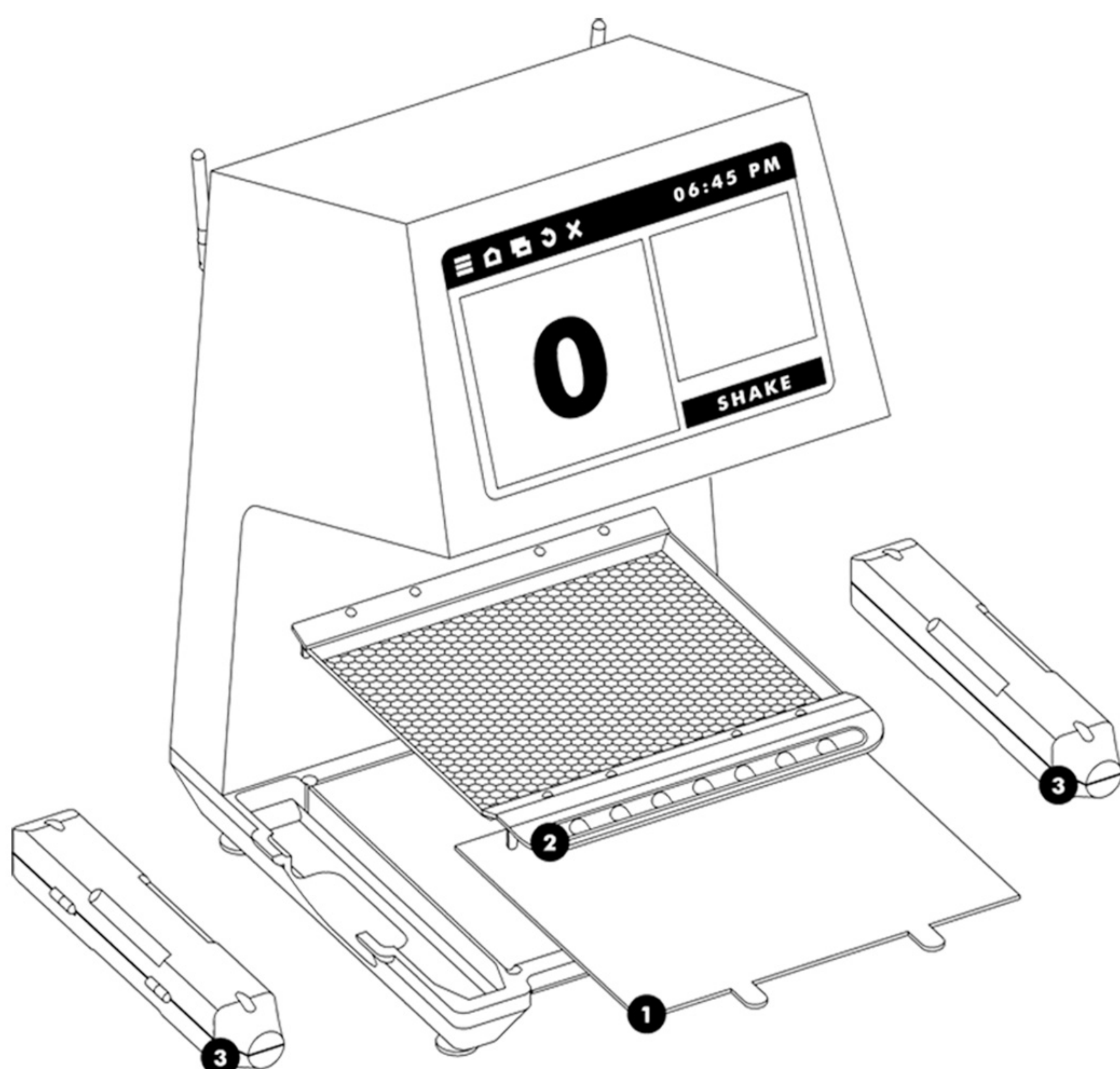
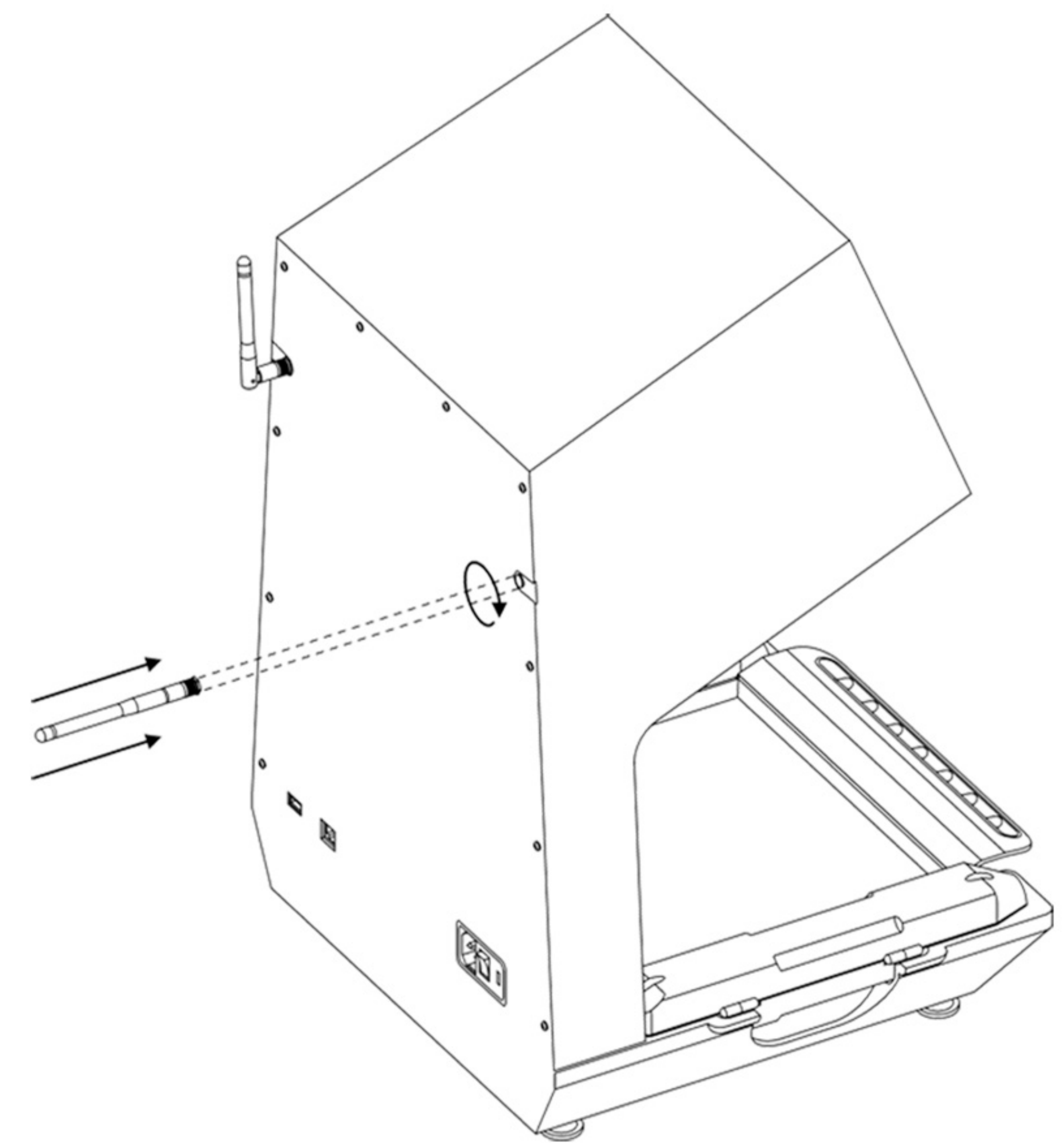


- 2 Attach the Wi-Fi antennas to the antenna ports located in the back of the unit. Be sure to attach the antennas even if not intending to use a wireless internet connection.



### ⚠ Caution

Do not position the pill counter in an area where it will be exposed to direct sunlight.



- 3 Place the light diffuser on top of the light source surface. ①

- 4 Place the counting tray on top of the light diffuser. ②

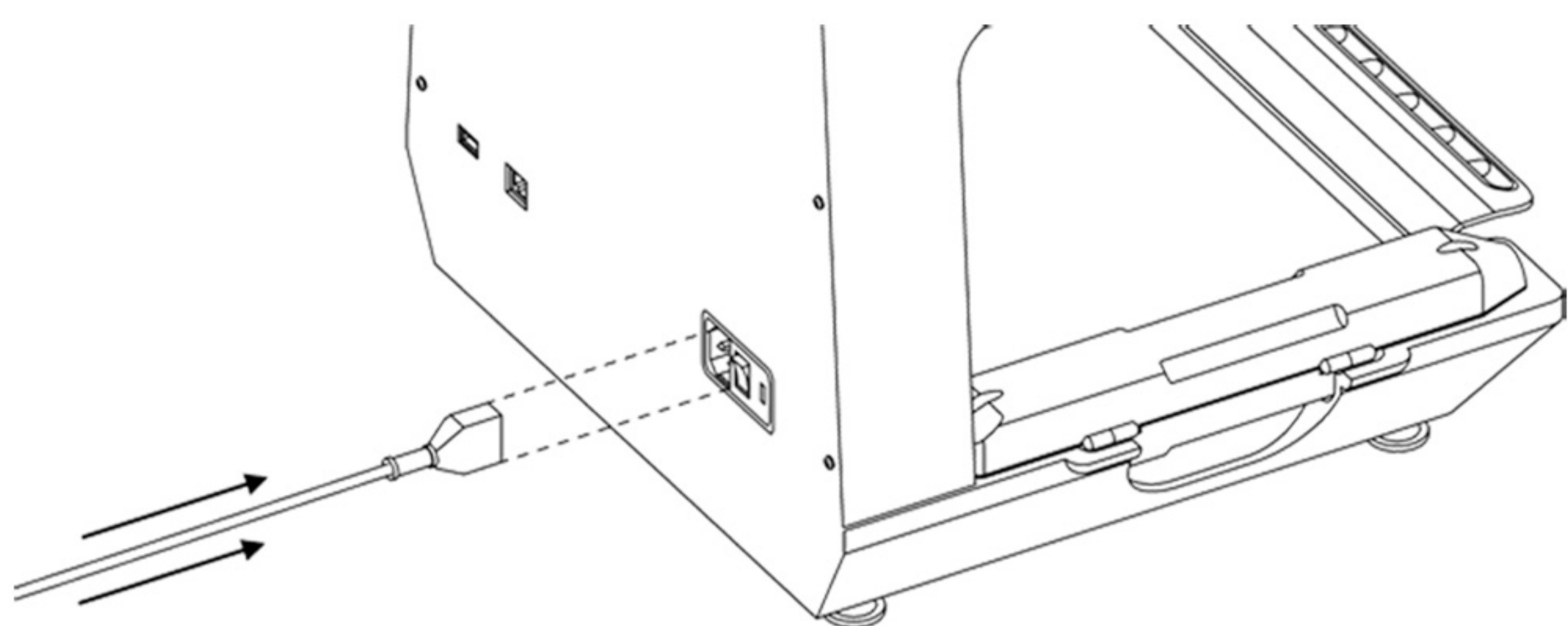
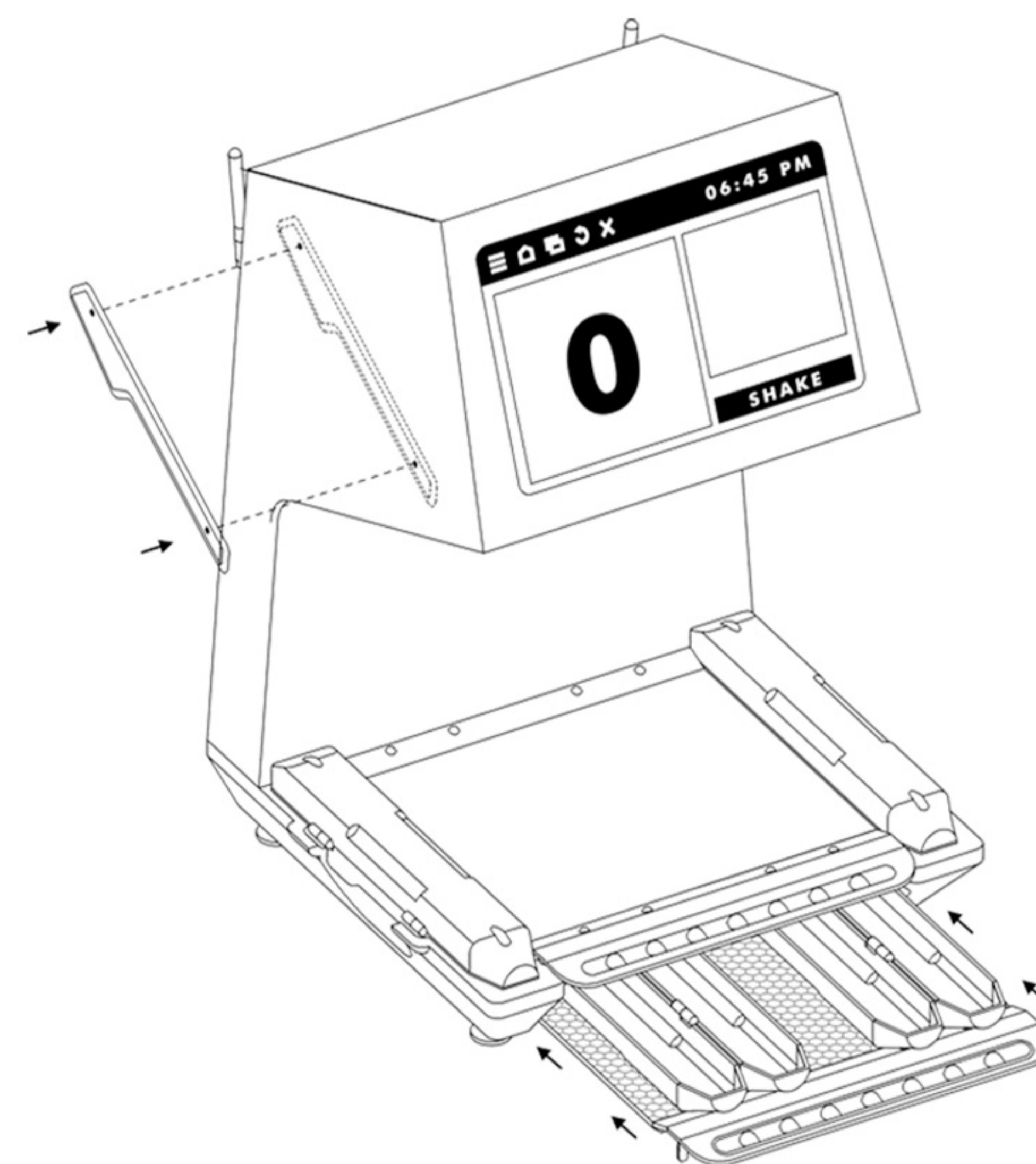
- 5 Place two dispensing tubes into the left and right slot. ③





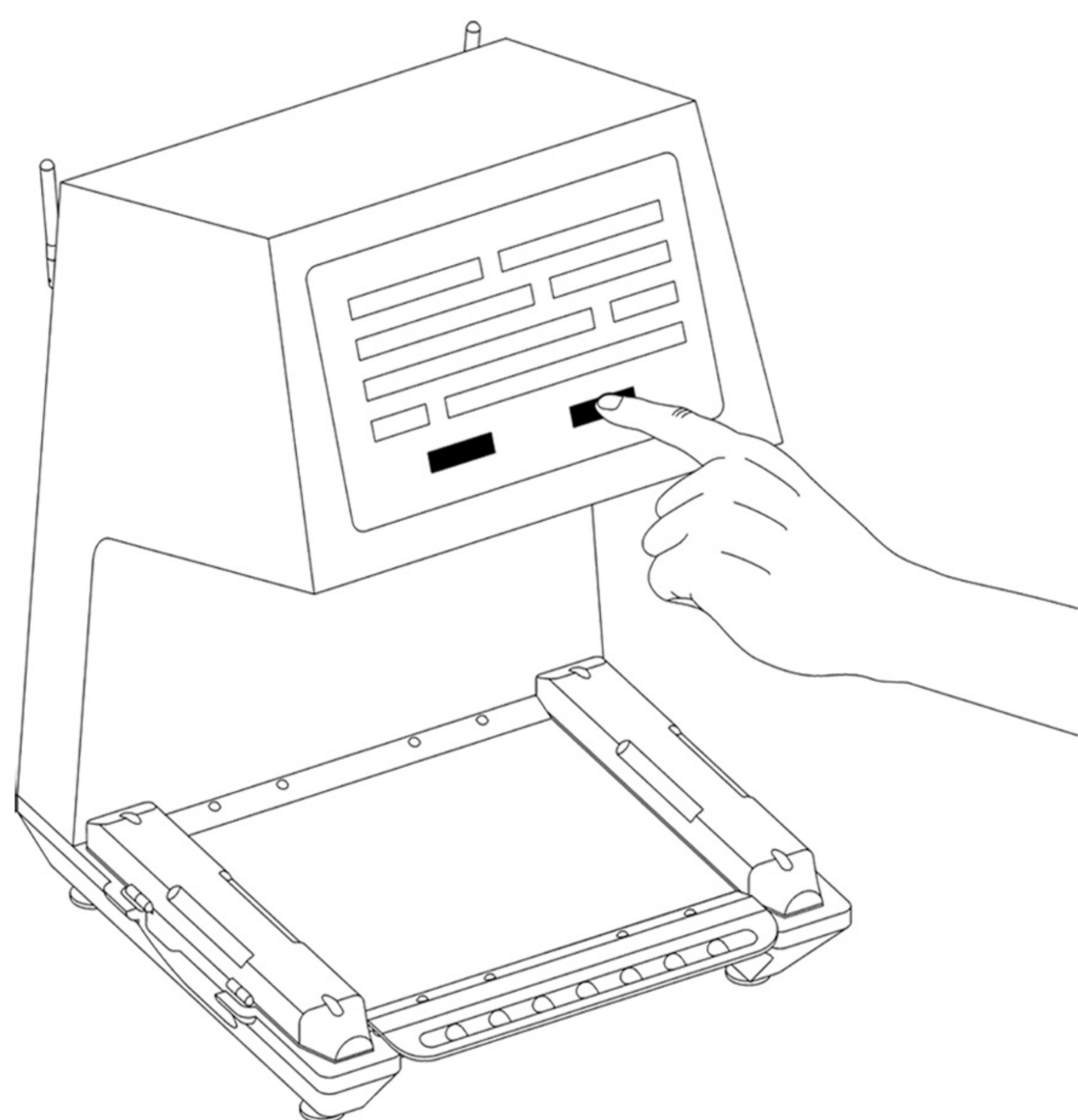
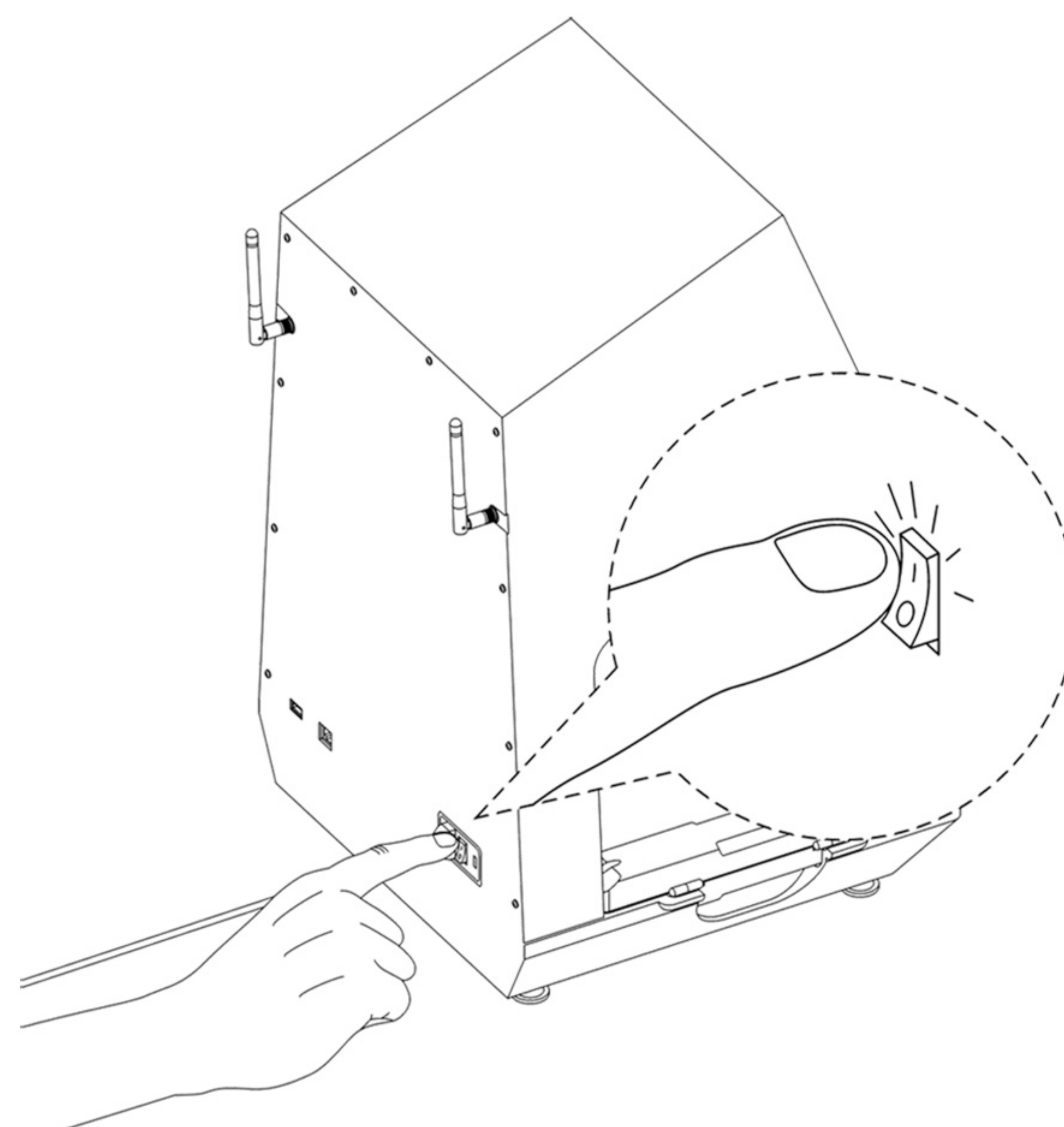
**6** Attach the magnetic spatula to any preferred area of the metal housing of the VIVID.

**7** Open the remaining two dispensing tubes. Place them on the spare tray and store it away in the spare tray bottom slot, underneath the unit.



**8** Insert the power cord into the power port located on the back of the unit and plug the cord into your wall outlet.

**9** To turn the VIVID ON, flip the power switch in the back of the unit to the ON position. Wait for the VIVID pill counter to power ON and initialize.



**10** If enabling the TORBAL Cloud for your VIVID pill counter, complete the account registration setup by following instructions on the screen, or log-in with your existing credentials.