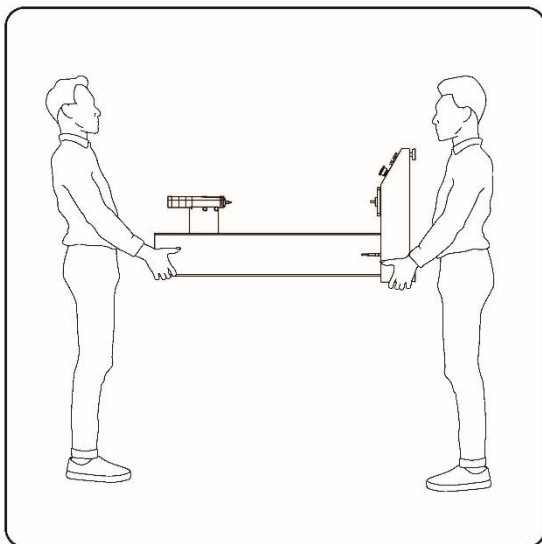
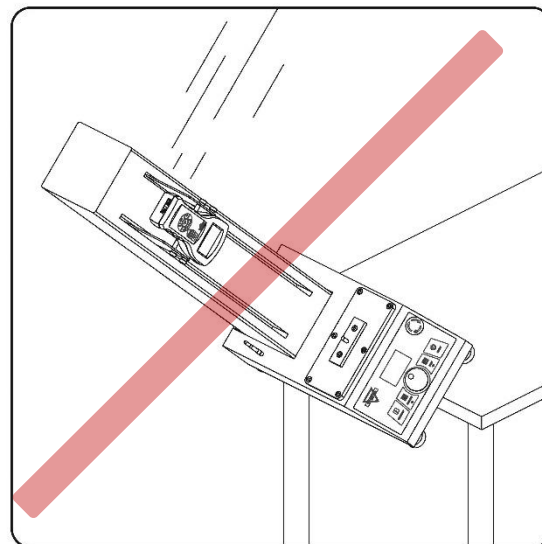


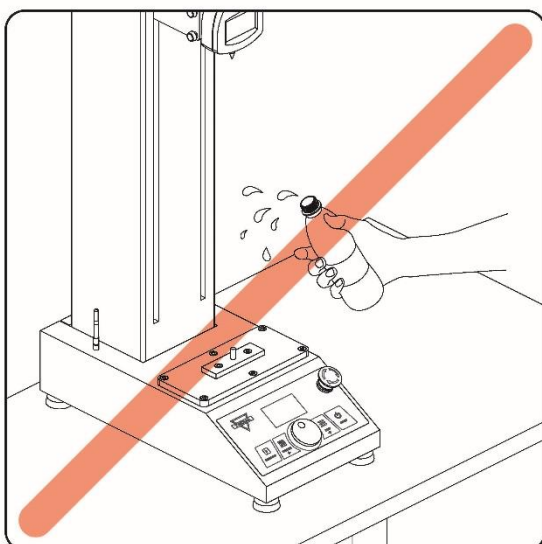
Important Handling Cautions and Warnings



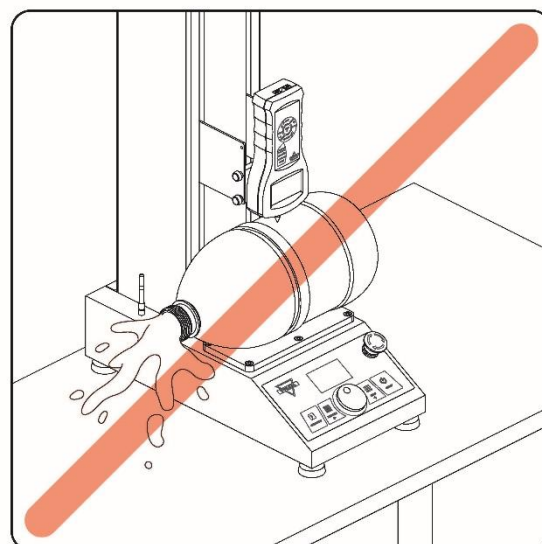
The test stand is very heavy. A two-person lift is required when unpacking or moving.



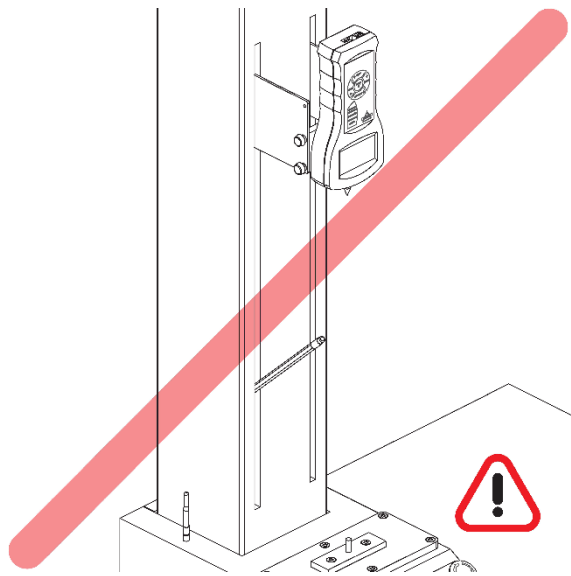
DO NOT let the test stand fall or drop onto the ground!



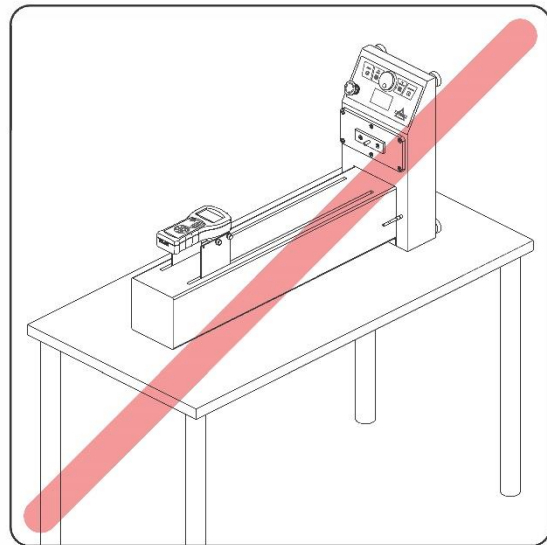
DO NOT pass or handle liquids near the test stand to prevent spillage and liquid damage!



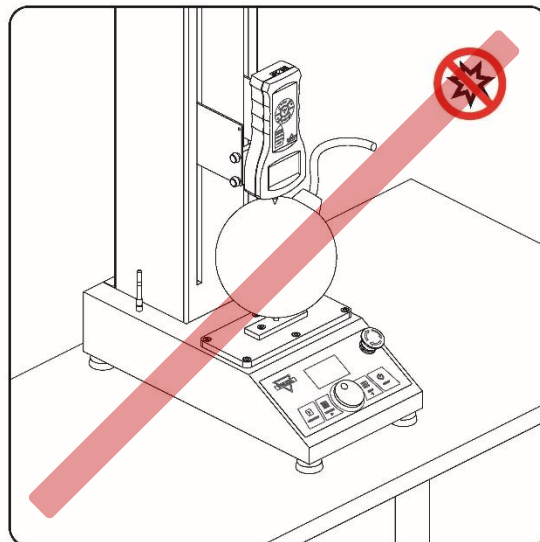
DO NOT attempt to test objects that contain liquids!



Never use the test stand if there is an object or material wedged in the column guide tracks!



Always install the test stand in its intended orientation only!



Never test explosives or hazardous materials!