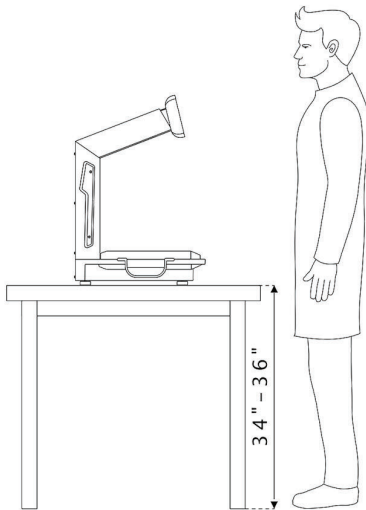




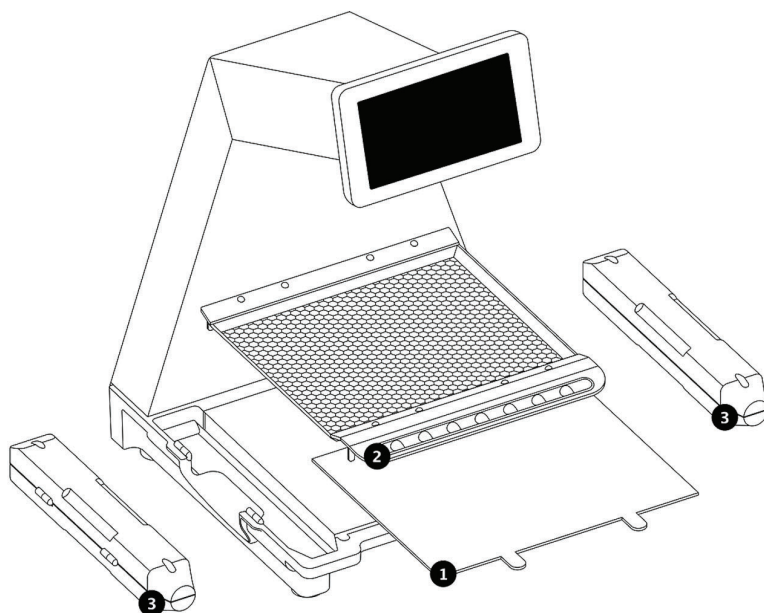
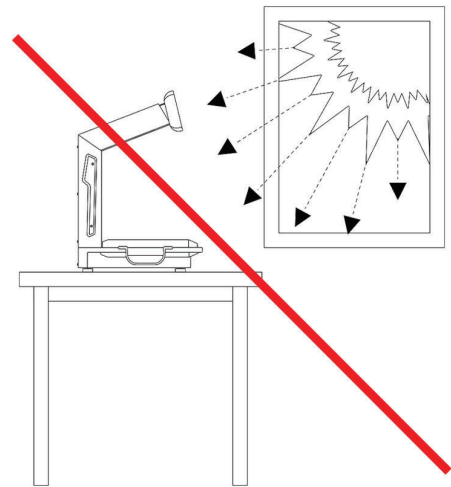
Setup

- 1 Carefully remove the VIVID LITE pill counter, and all components out of the packaging and place it on a stable surface. The optimum standing-height of the bench or tabletop for the VIVID LITE is 34 to 36 inches.



⚠ Caution

Do not position the pill counter in an area where it will be exposed to direct sunlight.

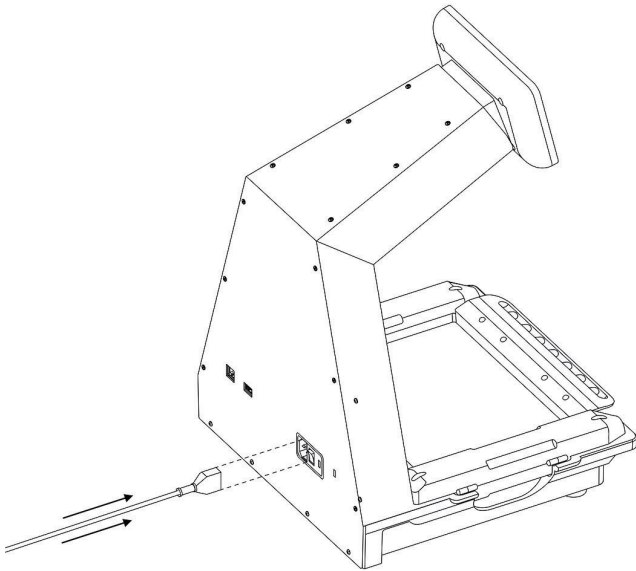
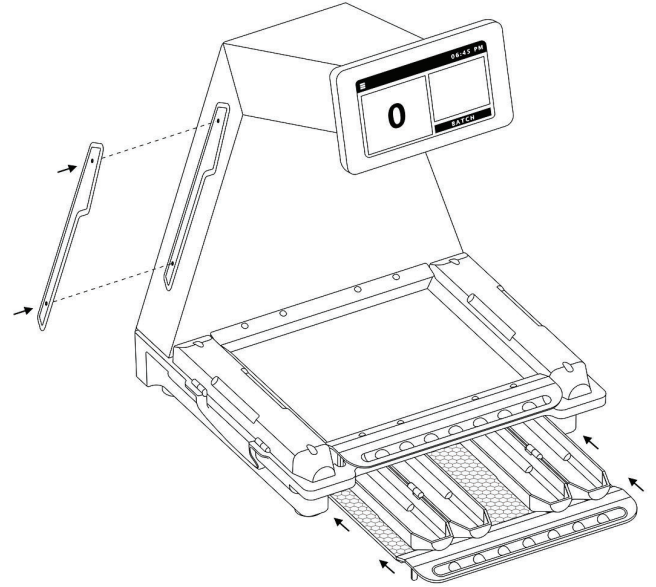


- 2 Place the light diffuser on top of the light source surface. 1
- 3 Place the counting tray on top of the light diffuser. 2
- 4 Place two dispensing tubes into the left and right slot. 3



5 Attach the magnetic spatula to any preferred area of the metal housing of the VIVID LITE.

6 Open the remaining two dispensing tubes. Place them on the spare tray and store it away in the spare tray bottom slot, underneath the unit.



7 Insert the power cord into the power port located on the back of the unit and plug the cord into your wall outlet.

8 To turn the VIVID LITE ON, flip the power switch in the back of the unit to the ON position. Wait for the VIVID LITE pill counter to power ON and initialize.

