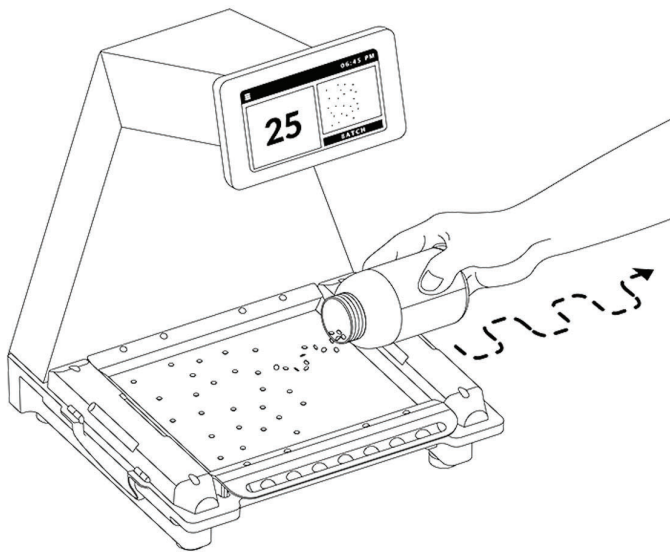




### Counting and Dispensing Techniques

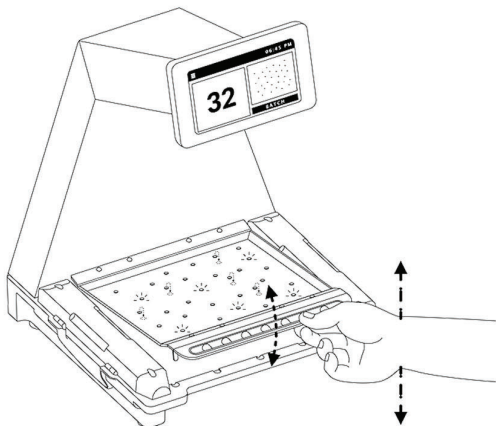
- 1 To count, dispense pills onto the tray in a scattering motion.



- 2 Once the pills are scattered on the tray, use the front tray handle to lift the tray up and down, and tap to assure pills spread away from each other.

#### Tip

Tapping the tray is required to assure optimum accuracy. Perform this step even when a count result is displayed. If tapping the tray does not produce a count result, you may have too many pills on the surface of the tray.

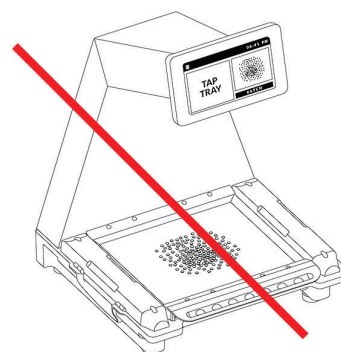


#### Caution

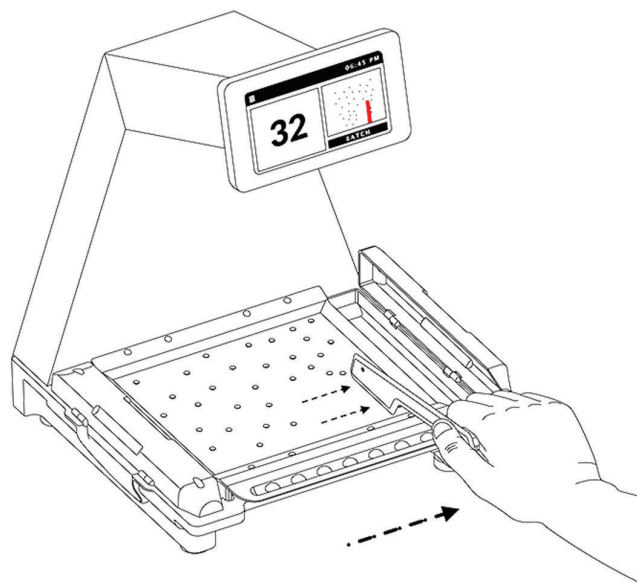
Do not dispense the pills into a single heap or tight cluster. For best results avoid exceeding a quantity of 100. Smaller pills can be counted in larger quantities.

#### Tip

Heaping or clustering the pills will slow down the counting process.

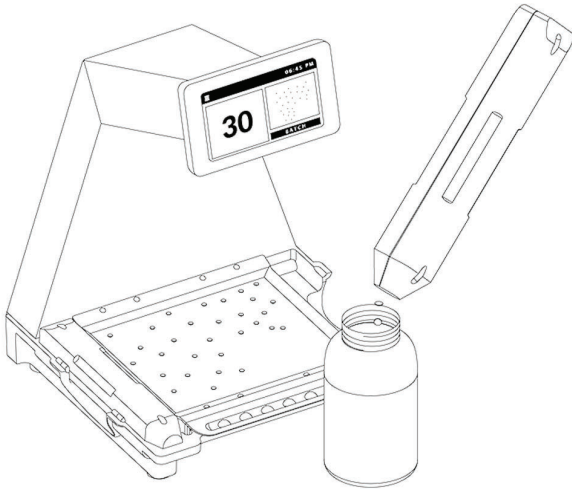


- 3 If more pills were dispensed onto the tray than needed, use the spatula to place the excess quantity into one of the dispensing tubes.

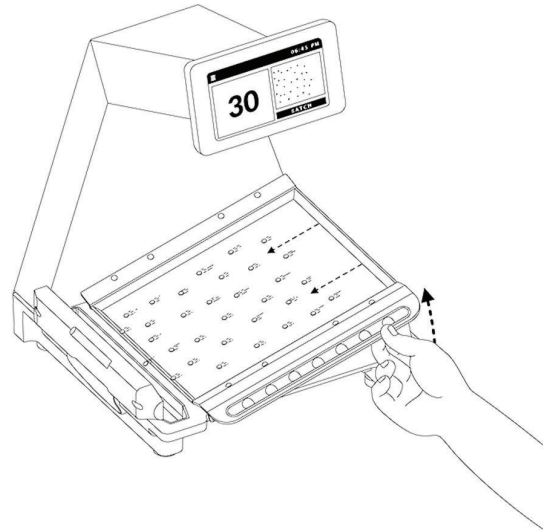




- 4** Transfer the excess quantity back into the supply bottle.



- 5** Confirm the count and tilt the tray to place the pills into the second dispensing tube.



**i Tip**

If preferred, you can use the long edge of the spatula to sweep the pills from the tray into the dispensing tube.

- 6** Transfer the pills to the patient's vial.

