

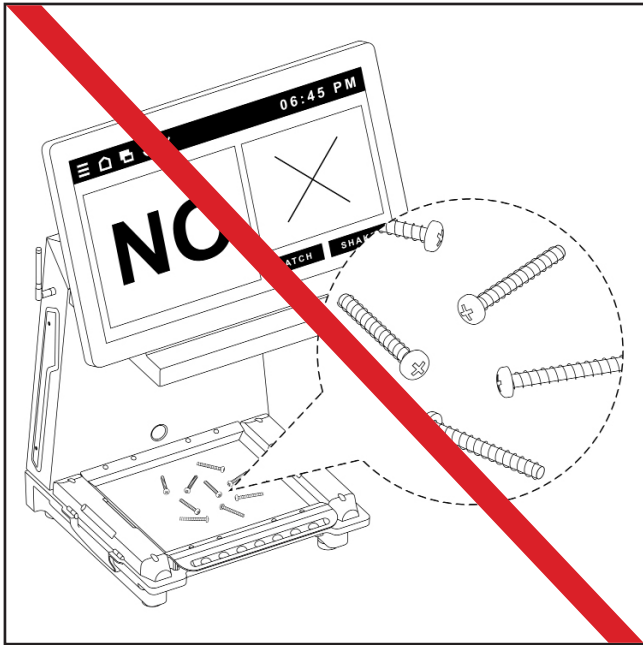


## Cautionary notes and warnings

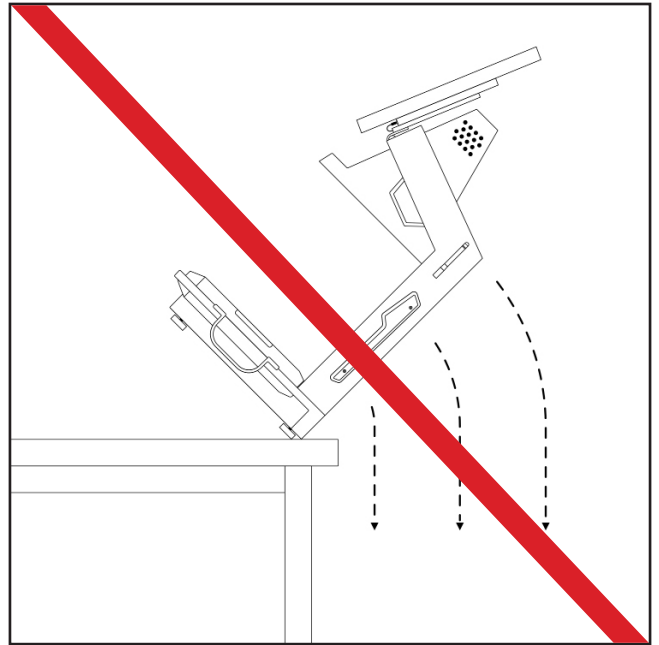


**Always handle your pill counter with care. Damage caused by improper handling is not covered under the warranty.**

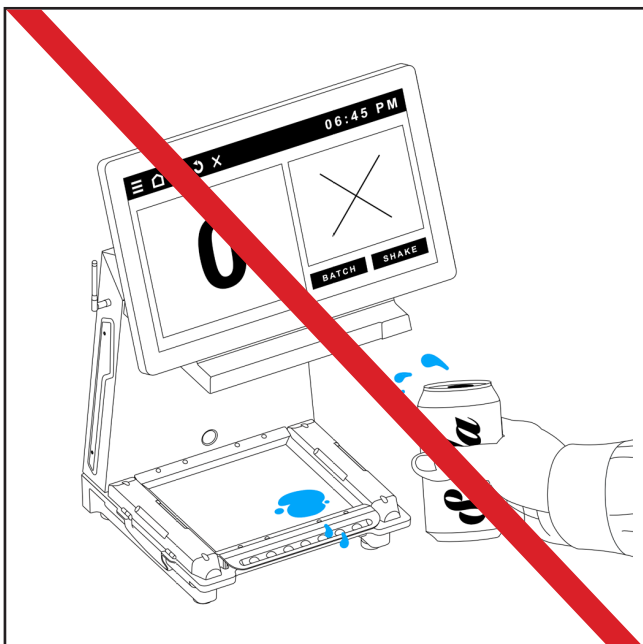
**Other than pills and tablets, never place any other articles or the objects on the tray.**



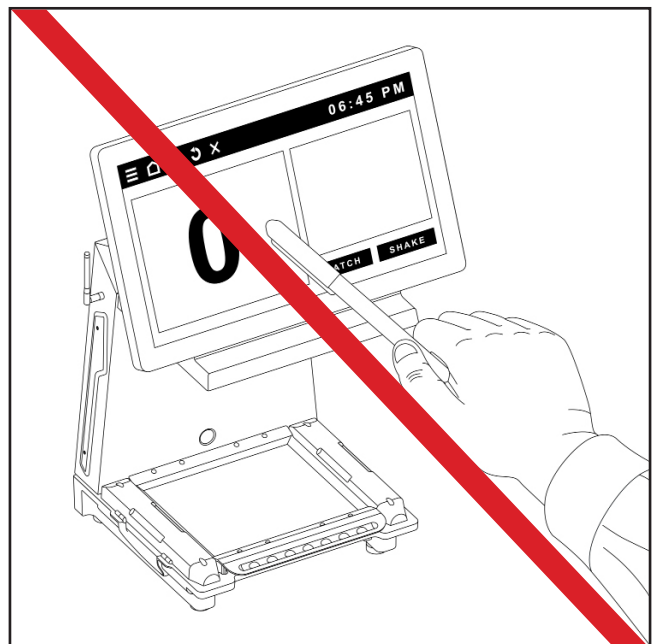
**Ensure the pill counter remains on the tabletop surface and does not fall or drop.**



**Do not pass or handle liquids directly over the pill counter to avoid spillage and liquid damage.**



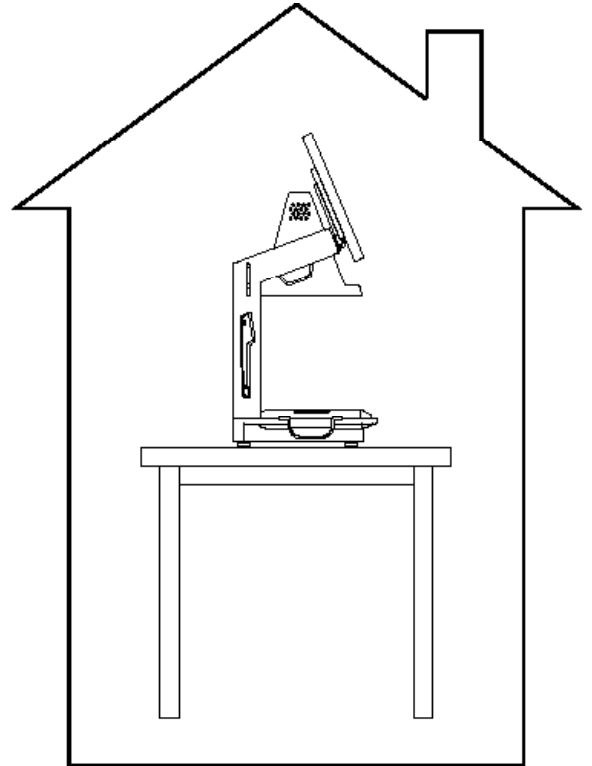
**Do not touch the display screen surface with sharp or hard objects.**





## Caution

- The VIVID pill counter is designed for indoor use only.**
- Do not use the pill counter in locations subject to high humidity or dust.**
- Do not connect cables in ways other than those mentioned in this manual.**
- Before moving the pill counter, unplug it and unplug all cables connected to it.**
- Do not operate the pill counter in hazardous areas or under dangerous conditions.**
- Do not operate near any appliance generating a strong magnetic field.**
- Never stand or lean on the pill counter. Equipment may fall or collapse, causing breakage and possible injury.**
- When storing, transporting, or returning the pill counter for service, always use the original package.**



## Warning

- Never attempt to repair, disassemble, or modify the pill counter. Tempering with the equipment may result in injury and cause greater damage.**
- If water or other liquid spills onto the pill counter, immediately unplug the power cord and contact technical support.**
- Disposal of electronic equipment in waste containers is prohibited by law.**

