



**VIVID
WORKSTATION**

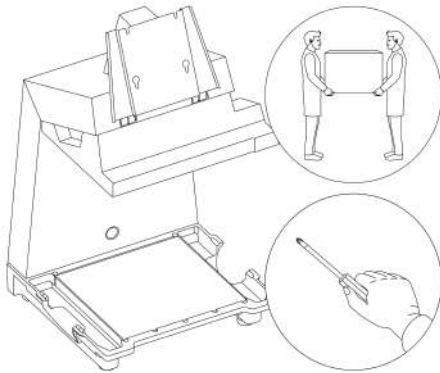


Unboxing and Setup



Unboxing and Setup

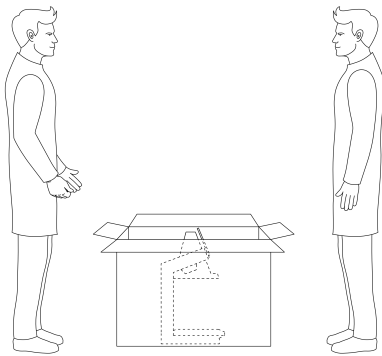
1 Prepare before unboxing and setup.



Tip

Unboxing and setup of the VIVID WORKSTATION is a two person process. It requires two people to ensure safe and proper assembly. You will also need a Phillips-head screwdriver. Please exercise caution to avoid injury or damage

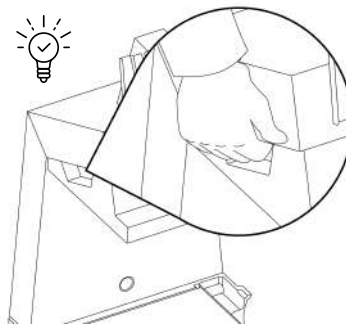
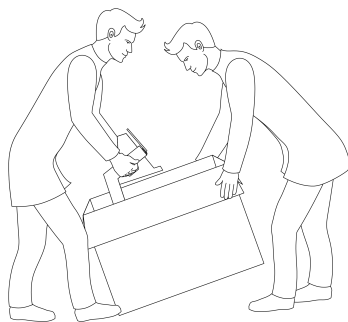
2 Open the box.



Tip

Place the VIVID Workstation box on the floor, carefully open it, and remove all components and accessories. Do not remove the VIVID Workstation at this time.

3 Remove the VIVID Workstation from the box.



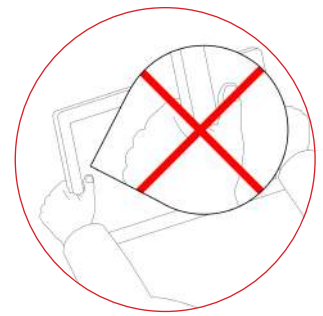
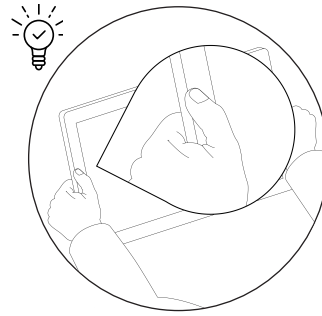
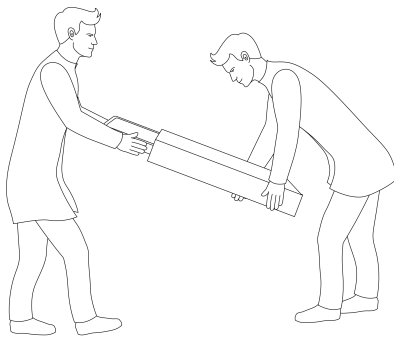
Use the designated slots in the housing to remove the VIVID Workstation from the box.

Caution !

Pulling the VIVID Workstation by its housing may damage the unit, leading to improper operation and voiding the warranty.



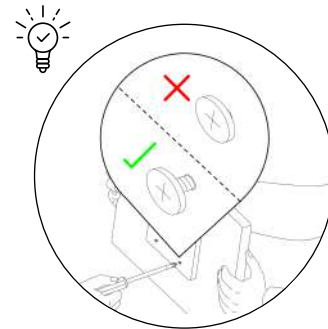
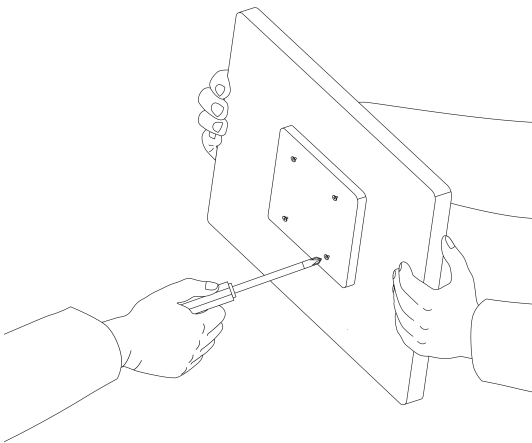
4 Unbox the touchscreen display.



Tip
Slide the display out of the box by holding the frame.

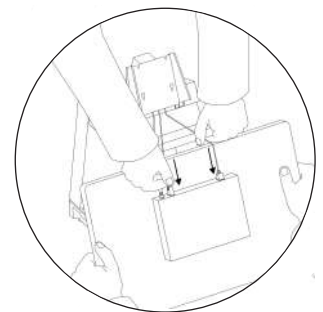
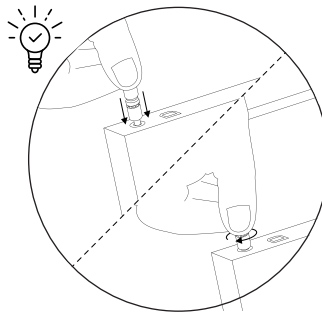
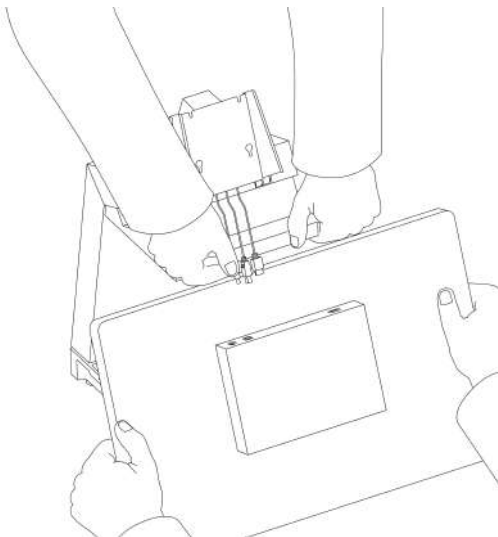
Caution !
While removing the display from the box, avoid pressing on the touchscreen display glass. Applying excessive force can cause damage.

5 Insert the provided screws into the four designated mounting points on the touchscreen monitor.



Using a Phillips screwdriver, insert the screws into the designated positions without fully tightening them. Final tightening will be done in subsequent steps.

6 Connect all three workstation cables to the touchscreen monitor: the power cable, USB cable, and HDMI cable.

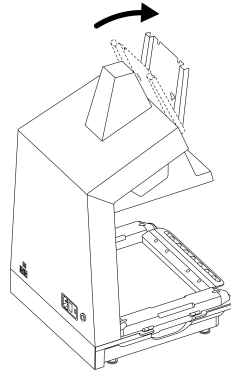


First, insert the power plug into the touchscreen display and screw it in tightly to secure it. Then, connect the USB and HDMI plugs to their respective sockets.

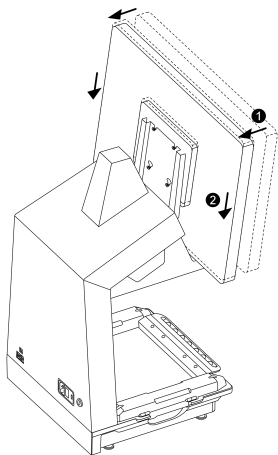


Unboxing and Setup

7 Adjust the bracket to a comfortable position before mounting the touchscreen.

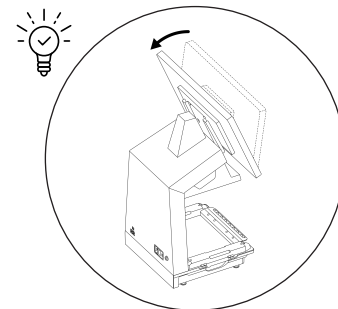
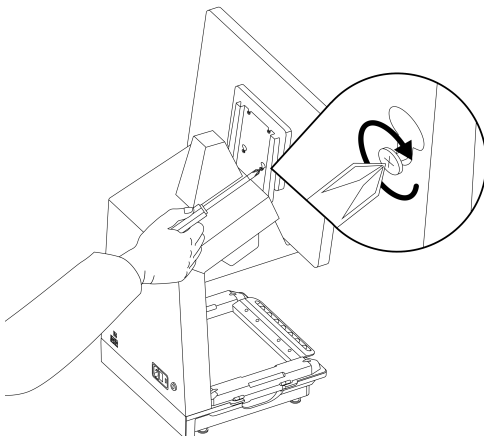


8 Mount the touchscreen on the VIVID Workstation.



- 1** Align the touchscreen display with the VESA mounting plate, ensuring the protruding screw heads fit into the corresponding holes on the plate.
- 2** Press the monitor firmly onto the mounting plate and lower it to secure its position.

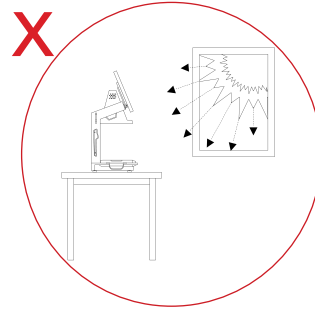
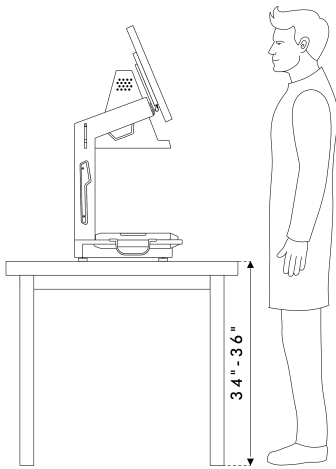
9 Tighten the screws to secure the touchscreen in place.



After firmly securing the touchscreen on the bracket, adjust it to a comfortable angle..



10 Height and location.

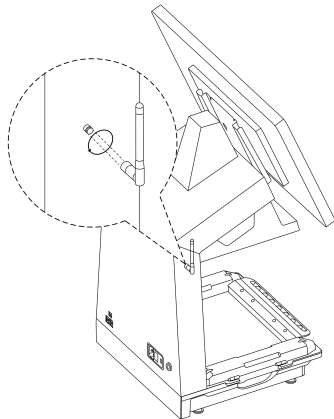


Tip
Place the VIVID Workstation on a stable surface. The optimal height for the VIVID Workstation is between 34 and 36 inches.

Caution !

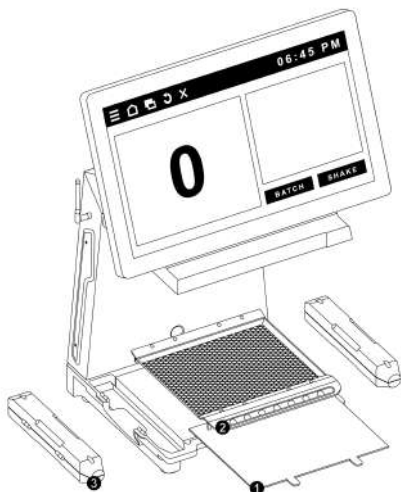
Do not install the pill counter in an area where it will be exposed to direct sunlight.

11 Attach the Wi-Fi antennas.



Attach the Wi-Fi antennas to the antenna ports located on the sides of the unit. Ensure the antennas are attached even if you do not intend to use a wireless internet connection.

12 Prepare and install all essential components for the VIVID Workstation.

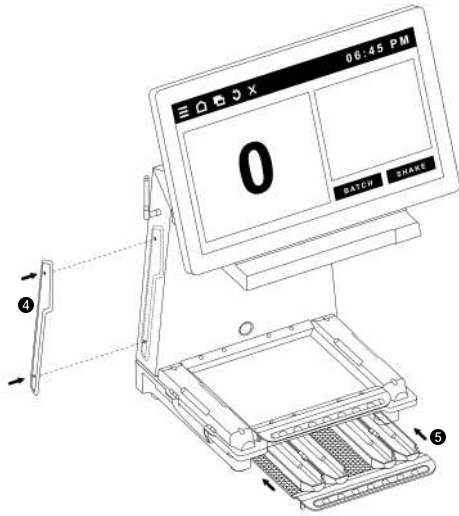


- 1 Position the light diffuser on top of the light source surface.
- 2 Position the counting tray on top of the light diffuser.
- 3 Insert two dispensing tubes into the left and right slots.



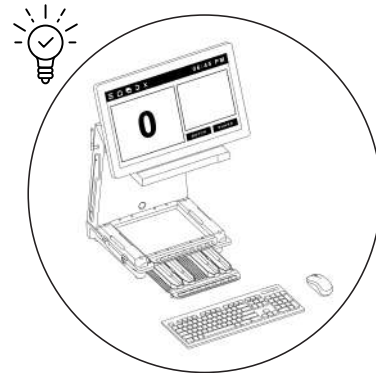
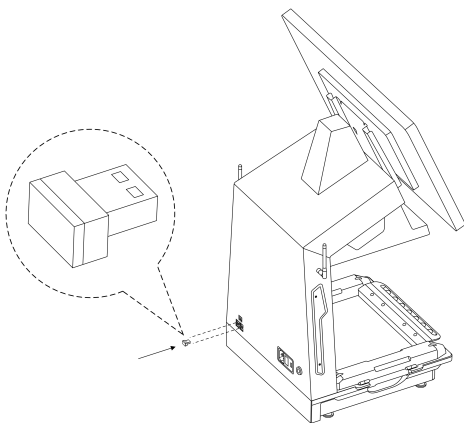
Unboxing and Setup

13 Set up the magnetic spatula and hazardous tray.



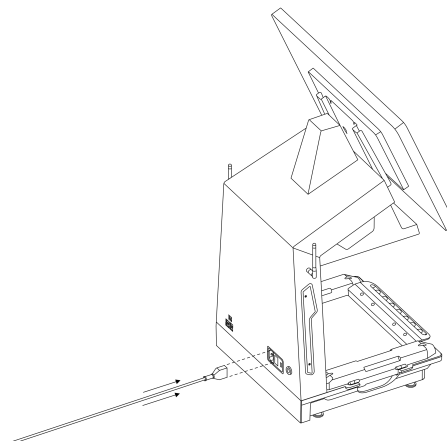
- ④ Attach the magnetic spatula to any preferred area of the metal housing of the VIVID Workstation
- ⑤ Open the remaining two dispensing tubes and place them on the hazardous tray. Store the hazardous tray in the bottom slot underneath the unit."

14 Keyboard and mouse setup.



Insert the wireless receiver for the keyboard and mouse into one of the USB ports located at the rear

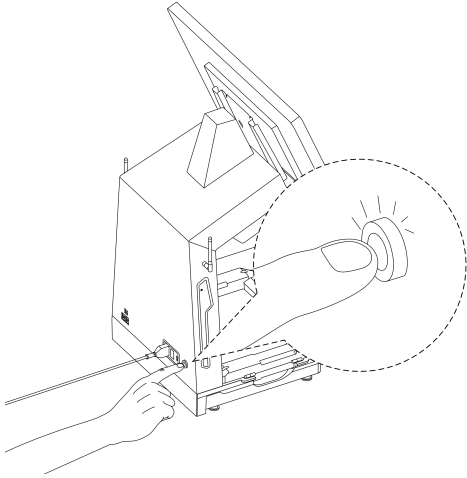
15 Connect the power cord.





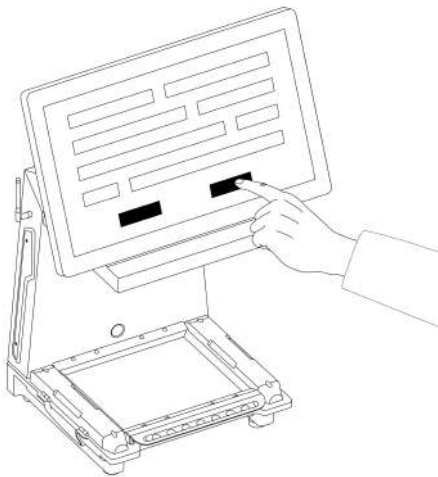
Unboxing and Setup


16 Power ON the VIVID Workstation.



Press the power button located at the back of the unit.
Wait for the VIVID Workstation to power on and initialize.

17 Account registration setup.



 **Tip**
Complete the account registration setup by following the onscreen instructions, or log in with your existing credentials.